



300 Series

QuickShip →

3000 Series

Molded, Polycarbonate
Purgemeters

The Brooks® 3000 Series is molded of high-impact resistant polycarbonate. These purgemeters are available with 24 different air and water ranges and are supplied with scales in LPM Air, SCFH Air, CCM Water and GPH Water, all with 10:1 turndown ratios. The 3000 has been designed to maintain maximum pressures to 100 psig and temperatures to 150°F. These meters are particularly suited for purge applications. These economically engineered units have been designed to provide the highest quality with precision accuracy. These flowmeters are fitted with 1/8" FNPT inlet and outlet connections. An optional inlet or outlet control valve can be specified.

- Flow tube and body molded of high-impact polycarbonate
- High quality construction
- Economy combined with accuracy
- Monitor or control air and water flows
- Flow ranges: Air 50 CCM to 100 LPM; Water 4 CCM to 40 GPH
- Supplied with easy-to-read 10:1 turn direct reading scales
- Ideally suited for OEM panel-mount applications
- Standard black body, custom colors available upon request

Specifications

Accuracy	± 4% Full Scale
Temperature	150°F/65°C Maximum
Pressure	100 PSI / 6.9 Bar Maximum

Materials of Construction:	
Body & Tube	Polycarbonate
Floats	Black Glass, Carbide, Stainless Steel or Aluminum
Fittings	Brass or 303 Stainless Steel
Seal Material	Buna-N or Viton® fluoroelastomer
Valve (Optional)	Cartridge Type: Brass or 303 Stainless Steel

[View 3000
Product Page](#)

BROOKS®
INSTRUMENT

Beyond Measure

3000 Series Flow Ranges

SCFH of Air	Tube Code	LPM of Air	Tube Code
.1-1	3A00	0.05-0.5	3A12
.2-2.5	3A01	.1-1.2	3A13**
.4-5	3A02	.4-5	3A14**
1-11	3A03	2-2.5	3A23
2-22	3A04	1-10	3A15**
4-60	3A06	2-30	3A16**
10-110	3A07	4-50	3A17**
20-200	3A08	10-100	3A18**
CCM of Water	Tube Code	GPH of Water	Tube Code
5-110	3L10	2-2.5	3L28
20-300	3L11**	.4-5	3L19
		1-10	3L20
		2-25	3L21
		4-40	3L22

****QuickShip** Select meters ship in 3 days.
Max order quantity = 10 meters.
Consult factory on orders of more than 10 meters.

Model Code

Code Description	Code Option	Option Description				
I. Base Model Number	MR	Body/Tube Molded Polycarbonate				
II. Tube Code	XXXX	From Table				
III. Fittings	B**	Brass				
	S**	Stainless Steel				
IV. Valve	N**	None				
	V**	Valve				
	O**	Outlet Valve (Vacuum Service Only)				
V. Seals	BN**	Buna-N w/Brass				
	VT**	Viton w/Stainless Steel				
VI. Options	-NL	No Logo				
Sample Standard Model Code	I MR	II 3A07	III B	IV V	V BN	VI -NL

Service and Support

Brooks is committed to assuring all of our customers receive the ideal flow solution for their application, along with outstanding service and support to back it up. We operate first class repair facilities located around the world to provide rapid response and support. Each location utilizes primary standard calibration equipment to ensure accuracy and reliability for repairs and recalibration and is certified by our local Weights and Measures Authorities and traceable to the relevant International Standards.

Visit www.BrooksInstrument.com to locate the service location nearest to you.

START-UP SERVICE AND IN-SITU CALIBRATION

Brooks Instrument can provide start-up service prior to operation when required. For some process applications, where ISO-9001 Quality Certification is important, it is mandatory to verify and/or (re)calibrate the products periodically. In many cases this service can be provided under in-situ conditions, and the results will be traceable to the relevant international quality standards.

CUSTOMER SEMINARS AND TRAINING

Brooks Instrument can provide customer seminars and dedicated training to engineers, end users, and maintenance persons.

Please contact your nearest sales representative for more details.

Due to Brooks Instrument's commitment to continuous improvement of our products, all specifications are subject to change without notice.

TRADEMARKS: Brooks is a trademark of Brooks Instrument, LLC. All other trademarks are the property of their respective owners.

Brooks Brooks Instrument, LLC

All other trademarks are the property of their respective owners.

DS-VA-3000-eng/2020-5

Global Headquarters

Brooks Instrument
407 West Vine Street
Hatfield, PA
19440-0903 USA

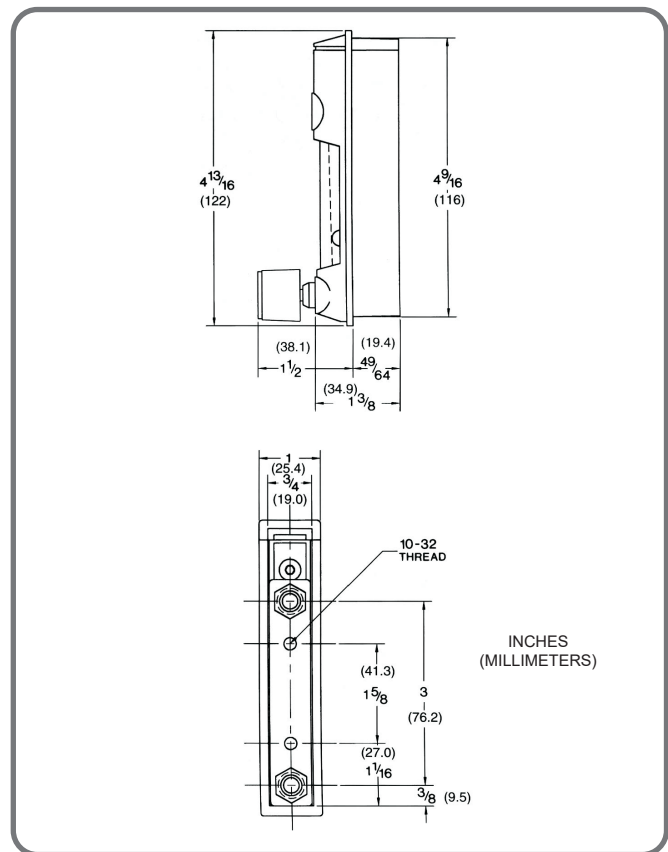
Toll-Free (USA): 888-554 - FLOW
T:215-362-3500

BrooksAM@BrooksInstrument.com

A list of all Brooks Instrument locations and contact details can be found at www.BrooksInstrument.com

©Copyright 2020 Brooks Instrument, LLC All rights reserved. Printed in U.S.A.

Product Dimensions



Additional Options

- Certificate of Conformance
- ICC
- Paper Tag
- Stainless Steel Tag



BROOKS
INSTRUMENT

Beyond Measure