

MT3809G Series

Metal Tube Variable Area Flow Meters for High Pressures and Extreme Temperatures



MT3809G General Purpose Housing

Brooks® MT3809 all-metal flowmeter has been the "go-to" meter for decades and the choice of Engineering, Procurement and Construction (EPC) companies. Its operation is based on the variable area principle and is ideal for a variety of gas, liquid and steam applications. These meters are indispensable where high pressures or high temperature operating conditions exist.

The primary meter is available in 316/316L stainless steel as well as with an ETFE liner. But a wide range of corrosion resistant materials of construction are available which makes it a perfect fit for metering of aggressive applications.

A broad range of connection sizes and types such as ASME, DIN and JIS flange choices along with several threaded options provide for flexible installations.

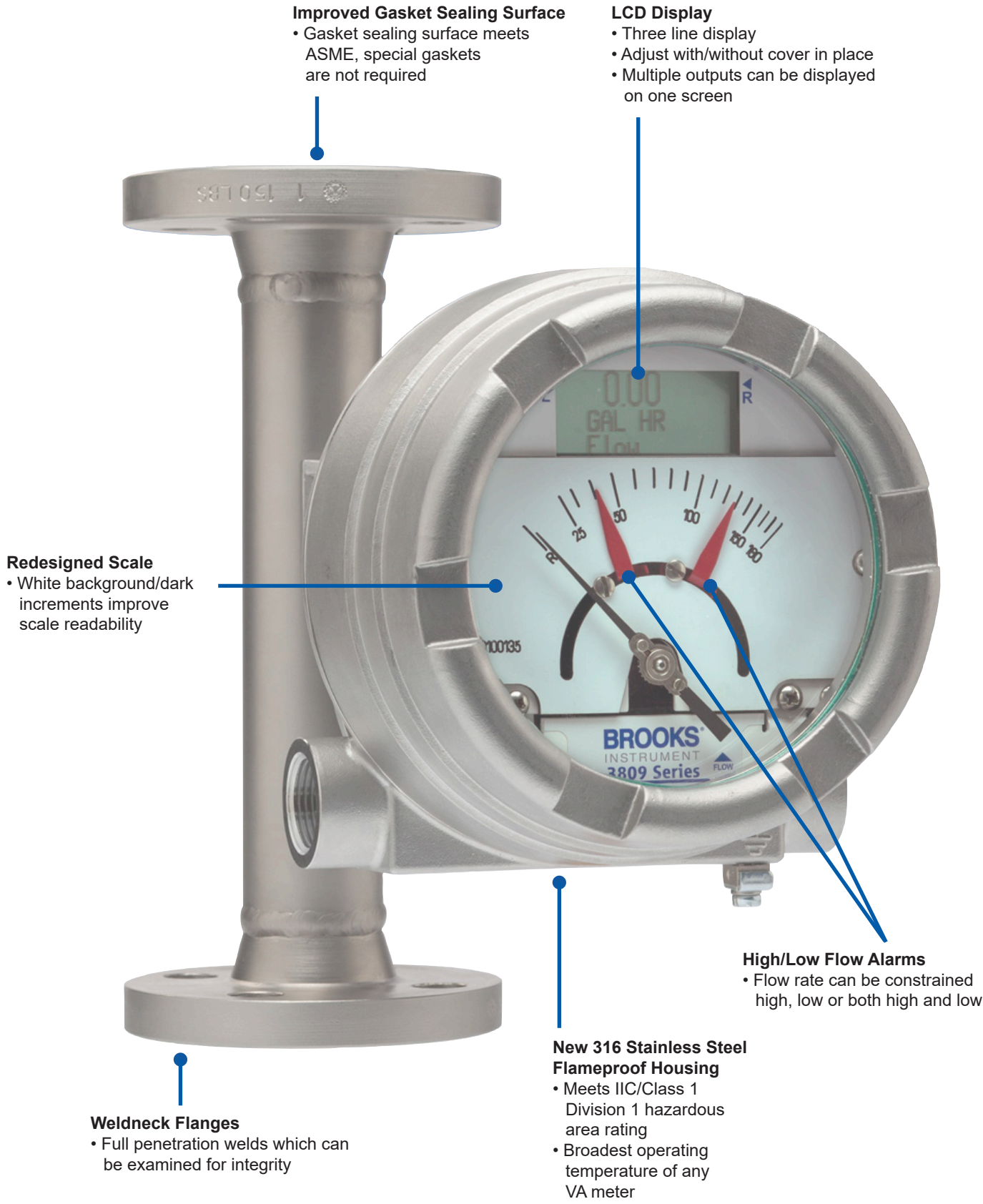
The very popular mechanical indicator option does not require power which reduces installation costs and is a cost-effective solution for flow measurement in hazardous areas. Optional accessories available includes transmitter with 4-20 mA analog output with HART® communications or FOUNDATION™ Fieldbus communications with or without configurable alarms and pulse output for totalization. Also available are front adjustable inductive alarms, high temperature or stainless steel indicator housings, valves, flow controllers and certifications.

Features & Benefits

- Transmitter with 4-20mA/HART-7 or FOUNDATION™ Fieldbus Communications
- Local Operator Interface with LCD display is adjustable without removing the cover so changes can be made even in hazardous areas
- 316SS flameproof housing that meets IIC/Class 1 Div 1 to handle the toughest hazardous applications
- The broadest range of operating temperatures in the industry, the perfect meter for difficult applications
- Lower flow rates with the current lay lengths which means one meter style can be used for very low to high flow rates
- Meter is designed to ASME B31.3 and the gasket sealing surface is per ASME, a rugged design that does not require special gaskets at installation
- Weldneck flanges are standard for MT3809 and MT3810 which means full penetration welds that can easily be tested for integrity
- Mechanical and alarm design that meets SIL 2 requirements

View MT3809G Series
Product Page

BROOKS[®]
INSTRUMENT



Improved Gasket Sealing Surface

- Gasket sealing surface meets ASME, special gaskets are not required

LCD Display

- Three line display
- Adjust with/without cover in place
- Multiple outputs can be displayed on one screen

Redesigned Scale

- White background/dark increments improve scale readability

High/Low Flow Alarms

- Flow rate can be constrained high, low or both high and low

Weldneck Flanges

- Full penetration welds which can be examined for integrity

New 316 Stainless Steel Flameproof Housing

- Meets IIC/Class 1 Division 1 hazardous area rating
- Broadest operating temperature of any VA meter

316 SS Flameproof Housing

The 3809 flameproof housing has been redesigned and improved. The option is made of 316 stainless steel. This includes housing, cover, bracket and hardware. The new option now meets ATEX gas group IIC/NA class 1 Division 1. This is the highest gas protection rating available. Now this option can be used in more hazardous area applications. This option also has the broadest operating temperature range of any Variable Area meter. The new 3809 can be used in applications from -198°C to +420°C (-325°F to +788°F).



LCD Display

The 4-20 mA output transmitter is still available with remote analog output but now a LCD display is a new option. The LCD display supplies additional information locally such as totalization, alarm signals and the ability to make parameter changes. The changes can be made by removing the housing cover which is possible in a non-hazardous area. But in a hazardous area the display can be accessed with the cover in place using a supplied magnet.



Improved HART Transmitter, FOUNDATION™ Fieldbus and Alarm Option

The transmitter and alarm options can be used in applications from -198°C to +420°C (-325°F to +788°F). Every transmitter has HART Revision 7 capability. The transmitter and alarm options will have worldwide approvals including CSA (North America), ATEX (Europe), KOSHA (Korea), NEPSI (China) and TR CU (Custom Union including Russia). The alarm function has a safety certification of SIL 2. This option can be used in the toughest applications including safety systems.



Product Specifications

		MT3809	MT3809 ELF	MT3810	TFE Lined
Measuring Range		See Capacity Tables			
Rangeability		10:1 (most sizes)			
Metering Tube	Standard	316/316L (dual certified stainless steel)			Tefzel® Lined 316/316L (dual certified stainless steel)
	Premium	Alloy 625, Hastelloy® C, Titanium Gr. II	Monel® K-500, Hastelloy C	-	-
Flanges and End Fittings	Standard	316/316L (dual certified stainless steel)			Tefzel Lined 316/316L (dual certified stainless steel)
	Premium	Alloy 625, Hastelloy C, Titanium Gr. II			-
Accuracy		2%, 1%, VDI/VDE class 2.5, 1.6	5%, 3%, VDI/VDE class 4, 2.5	5%, VDI/VDE class 6	2%, VDI/VDE class 2.5
Repeatability		0.25% Full Scale	1% Full Scale	0.25% Full Scale	0.25% Full Scale
Scale type / material		Dark increments with white background / Aluminum			
Installation orientation and location		Vertical (within 5% of true-vertical), bottom inlet, top outlet. Do not locate in proximity of other magnetic interfering components.			
Connections	Flanged:	Weldneck flanges			Slip on flanges
	Equivalent - to ANSI B16.5*	ANSI ½" TO 4" 150# RF; ½" to 2" 900/1500# RF/RTJ; ½" to 2" 2500# RTJ	ANSI ½" TO 4" 150# RF; ½" to 2" 900/1500# RF/RTJ; ½" to 2" 2500# RTJ	ANSI 1/2" to 2" 150# RF to 300# RF	ANSI 1/2" to 2" 150# RF to 300# RF
	- DIN 2527/ EN 1092-1	DIN PN 40			
	- Flange finish	3.2 - 6.3 Ra			
	Threaded female	1/2" to 2" NPT/Rc-Female	1/2" NPT/Rc-Female	1/2" to 2" NPT-Female	-
	Threaded male	1" to 2-1/2" NPT-Male	1" NPT-Male	-	-
O-ring material	Flanged	None			None
	Threaded male	None			-
	Threaded female std	Viton® or Teflon®			Viton or Teflon
	Threaded female high pressure 2500lbs	Viton Shore 90 + Teflon back-up ring or Kalrez 3018 Shore 90 + Teflon back-up ring			-
Floats	Standard	316L stainless steel			Hastelloy C-276 (sizes 7,8) PVDF (sizes 10-13)
	Premium	Alloy 625, Hastelloy C, Titanium Gr. II	Monel K-500, Hastelloy C	-	-
Protection Category	Indicator only	IP 66/67 NEMA 4X			
	Transmitter ALU	IP64			
	Transmitter SS	IP 66/67 NEMA 4X			
Indicator Housing & Cover material	Indicator only ALU	Die cast Aluminum (Alloy 380), epoxy paint, glass window			
	Transm/Alarm/HiTemp ALU	Die cast Aluminum (Alloy 380), epoxy paint, glass window			
	Indicator only SS	Cast 316 stainless steel, glass window			
	Transm/Alarm/HiTemp SS	Cast 316 stainless steel, 316 stainless steel hardware, glass window			
Pressure/Temperature		See Pressure/Temperature Tables			
Maximum Fluid Temperature		420°C/788°F (Refer to Temperature Tables)		300°C/570°F	150°C/270°F
Meter Dimensions		Refer to Product Dimension Figures			
Needle Control Valves & Flow Controllers		Valves - Sizes 7 - 12 / FCA Sizes 7,8	Valve/FCA Sizes 0-5	Valves - Sizes 7 - 12 / FCA Sizes 7,8	-
Product Approvals		Refer to Product Approvals Pages			
Transmitter	Current loop 4-20mA/HART®	Refer to Transmitter Section for detailed specifications on 4-20mA/HART-7 transmitter, Hi/Lo-alarm and pulse output - Nbt Available 3810G			
	FOUNDATION™ Fieldbus	Refer to FOUNDATION Fieldbus Section for detailed specifications on FOUNDATION Fieldbus transmitter, Hi/Lo-alarm and pulse output - Not Available 3810G			
Inductive Alarms		Refer to Inductive Alarm Section - Not Available 3810G			Refer to Inductive Alarm Section
Local Operator Interface (incl. LCD)		Refer to Temperature Tables			

* The product is designed in accordance with ASME B31.3. The following flange parameters comply with requirements of ASME B16.5

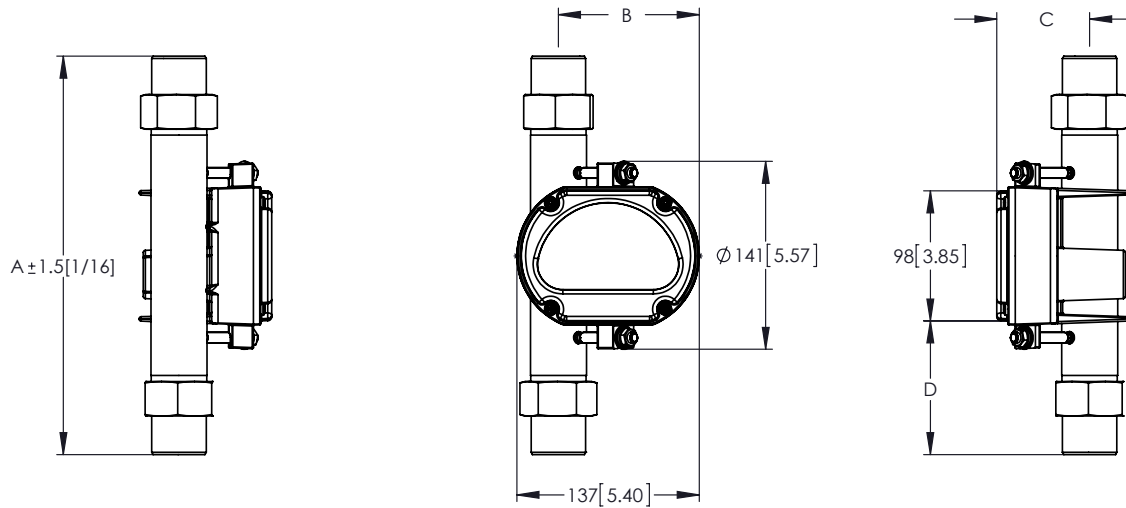
- Pressure Rating
- Nominal Pipe Size NPS
- Diameter of Flange
- No. of Bolts
- Diameter of Bolts
- Diameter of Bolt Holes
- Bolt Circle

ELF Body/Float Stop/Float/Metering Tube Material Restrictions

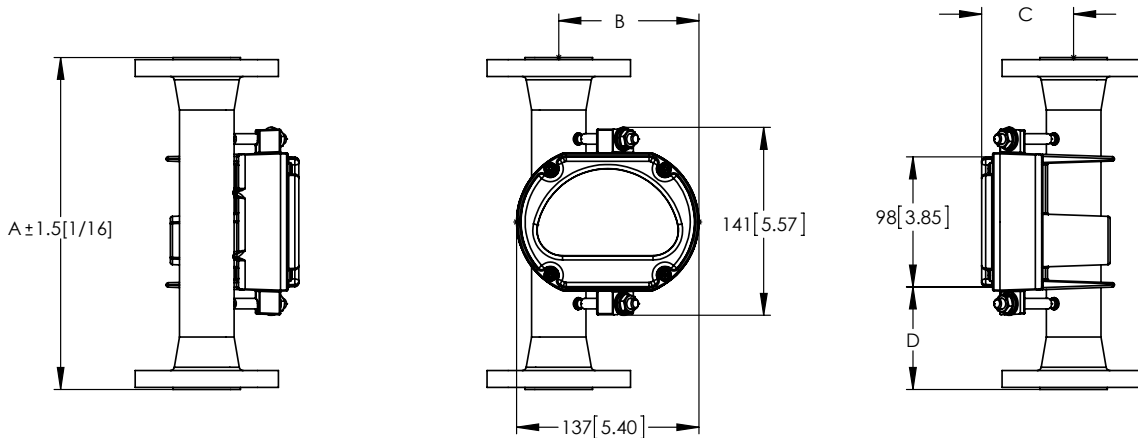
ELF BODY MAT'L (#1)	METERING TUBE MAT'L (#6)	OUTLET FLOAT STOP MAT'L (#13)	FLOAT MAT'L (#14) *	INLET FLOAT STOP MAT'L (#17)
316 LSS	316SS	INCONEL 625	316SS or TITANIUM GR2	316SS
HASTELLOY C-276	HASTELLOY C-276	HASTELLOY C-276	HASTELLOY C-276	HASTELLOY C-276
INCONEL 625	MONEL	INCONEL 625	MONEL	MONEL
TITANIUM GR2	MONEL	INCONEL 626	TITANIUM GR2	MONEL

*Note: Size 0 float is always TITANIUM GR2 FLOAT

Model 3809 & 3810 General Purpose Indicator Housing with Threaded Female Connections mm [inches]



Model 3809 & 3810 General Purpose Indicator Housing with Flanged Connections mm [inches]



Meter Size	Connection	A	B	C	D	Weight (Approx.)*
0-5	1/2" Threaded Female	225 [8.85]	99 [3.90]	63 [2.56]	61 [2.40]	2.7 kg [6 lbs.]
	1" Threaded Male	200 [7.87]	100 [3.94]	65 [2.56]	48 [1.89]	2.7 kg [6 lbs.]
7 & 8	1/2" Threaded Female	225 [8.85]	99 [3.90]	63 [2.56]	61 [2.40]	2.7 kg [6 lbs.]
	3/4" Threaded Female	225 [8.85]	99 [3.90]	63 [2.56]	61 [2.40]	2.7 kg [6 lbs.]
10	1" Threaded Male	200 [7.87]	100 [3.94]	65 [2.56]	48 [1.89]	2.7 kg [6 lbs.]
	1" Threaded Female	300 [11.81]	107 [4.21]	71 [2.80]	98 [3.86]	4.5 kg [10 lbs.]
12	1-1/2" Threaded Male	250 [9.84]	108 [4.25]	72 [2.83]	73 [2.87]	4.5 kg [10 lbs.]
	1-1/2" Threaded Female	300 [11.81]	116 [4.57]	80 [3.15]	98 [3.86]	6.8 kg [15 lbs.]
13	2-1/2" Threaded Male	250 [9.84]	118 [4.65]	83 [3.27]	73 [2.87]	6.8 kg [15 lbs.]
	2" Threaded Female	300 [11.81]	122 [4.78]	86 [3.39]	98 [3.86]	7.7 kg [17 lbs.]
0-5	Flanged (ANSI DIN and JIS)	250 [9.84]	99 [3.90]	63 [2.48]	73 [2.87]	4.1 kg [9 lbs.] - 6.5 kg [14 lbs.]
7 & 8		250 [9.84]	99 [3.90]	63 [2.48]	73 [2.87]	4.1 kg [9 lbs.] - 11.9 kg [26 lbs.]
10		250 [9.84]	106 [4.13]	70 [2.76]	73 [2.87]	7.7 kg [17 lbs.] - 14.5 kg [32 lbs.]
12		250 [9.84]	115 [4.53]	79 [3.11]	73 [2.87]	12.2 kg [27 lbs.] - 17.7 kg [39 lbs.]
13		250 [9.84]	122 [4.80]	85 [3.35]	73 [2.87]	14.1 kg [31 lbs.] - 28 kg [62 lbs.]
15		250 [9.84]	139 [5.47]	103 [4.06]	73 [2.87]	20.0 kg [44 lbs.] - 45 kg [99 lbs.]
16		350 [13.78]	154 [6.06]	118 [4.65]	123 [4.84]	37.6 kg [83 lbs.] - 58.6 kg [129 lbs.]

*Weights shown for aluminum indicator. Add 1.8 [4 lbs.] for steel indicator housing.

Note: DIM A is 300mm for the below options:

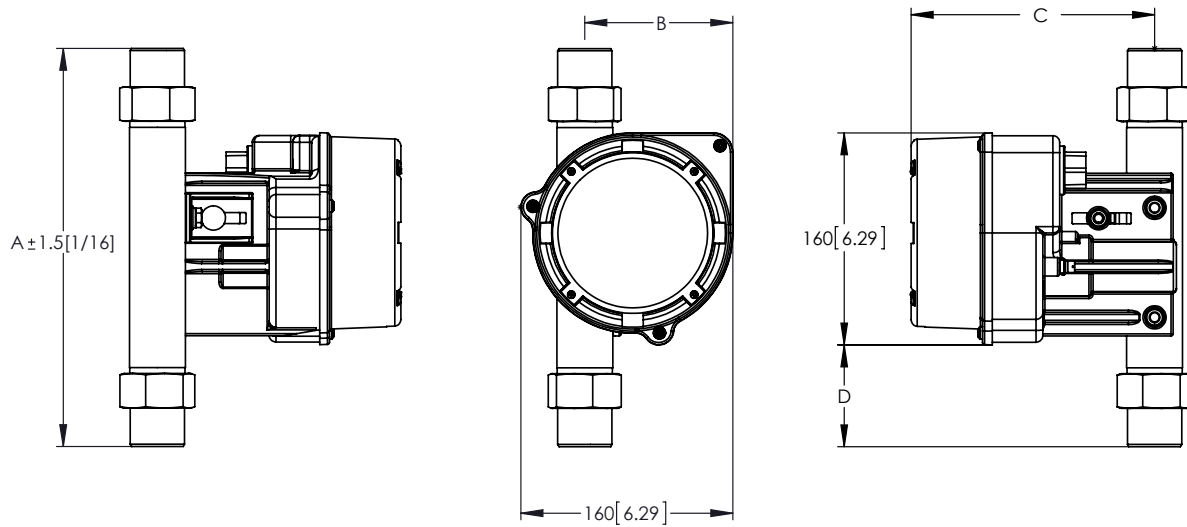
Sizes 7/8 1.5 to 2" 600# RF

ELF 2" 300# RF

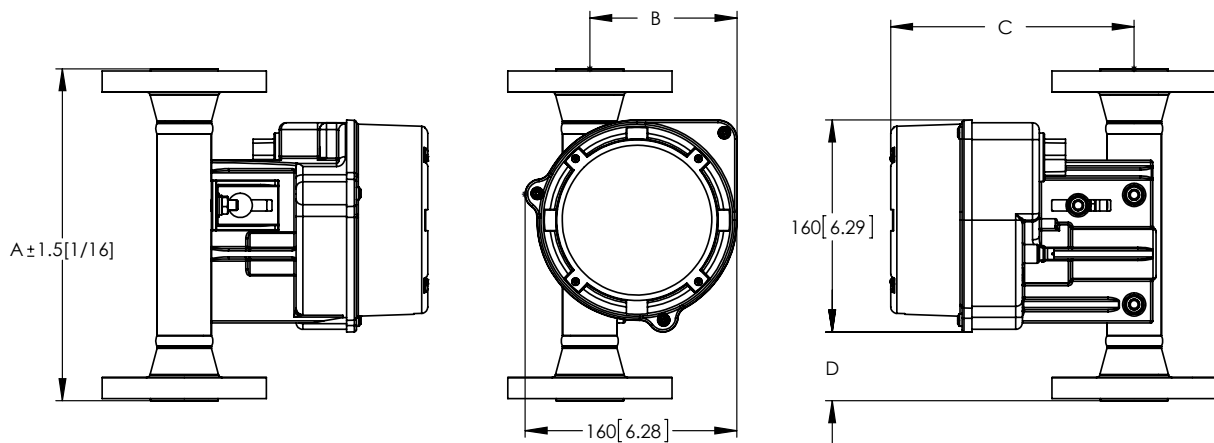
SIZE 10 2" 600# RF

Consult factory for 900/1500# & 2500# Flanged Meter Dimensions

Model 3809 Intrinsicly Safe Indicator Housing with Threaded Female Connections mm [inches]



Model 3809 Intrinsicly Safe Indicator Housing with Flanged Connections mm [inches]



Meter Size	Connection	A	B	C	D	Weight (Approx.)*
0-5	1/2" Threaded Female	225 [8.85]	104 [4.10]	183 [7.20]	40 [1.57]	5.4 kg [12 lbs.]
	1" Threaded Male	200 [7.87]	105 [4.13]	183 [7.20]	27 [1.06]	5.4 kg [12 lbs.]
7 & 8	1/2" Threaded Female	225 [8.85]	104 [4.10]	183 [7.20]	40 [1.57]	5.4 kg [12 lbs.]
	3/4" Threaded Female	225 [8.85]	104 [4.10]	183 [7.20]	40 [1.57]	5.4 kg [12 lbs.]
10	1" Threaded Male	200 [7.87]	105 [4.13]	183 [7.20]	27 [1.06]	5.4 kg [12 lbs.]
	1" Threaded Female	300 [11.81]	121 [4.76]	183 [7.20]	77 [3.03]	7.3 kg [16 lbs.]
12	1-1/2" Threaded Male	250 [9.84]	113 [4.45]	183 [7.20]	52 [2.05]	7.3 kg [16 lbs.]
	1-1/2" Threaded Female	300 [11.81]	121 [4.76]	183 [7.20]	77 [3.03]	9.5 kg [21 lbs.]
13	2-1/2" Threaded Male	250 [9.84]	120 [4.72]	183 [7.20]	52 [2.05]	9.5 kg [21 lbs.]
	2" Threaded Female	300 [11.81]	127 [5.00]	183 [7.20]	77 [3.03]	10.4kg [23 lbs.]
0-5	Flanged (ANSI, DIN and JIS)	250 [9.84]	104 [4.10]	183 [7.20]	52 [2.05]	6.8 kg [15 lbs.] - 9.2 kg [20 lbs.]
		250 [9.84]	104 [4.10]	183 [7.20]	52 [2.05]	6.8 kg [15 lbs.] - 14.6 kg [32 lbs.]
250 [9.84]		111 [4.37]	183 [7.20]	53 [2.05]	10.4 kg [23 lbs.] - 17.2 kg [38 lbs.]	
250 [9.84]		120 [4.72]	183 [7.20]	54 [2.05]	15 kg [33 lbs.] - 20.5 kg [45 lbs.]	
12		250 [9.84]	120 [4.72]	183 [7.20]	54 [2.05]	15 kg [33 lbs.] - 20.5 kg [45 lbs.]
13		250 [9.84]	126 [4.96]	183 [7.20]	55 [2.05]	16.8 kg [37 lbs.] - 30.7 kg [68 lbs.]
15		250 [9.84]	144 [5.67]	183 [7.20]	56 [2.05]	22.7 kg [50 lbs.] - 47.7 kg [105 lbs.]
16		350 [13.78]	159 [6.26]	183 [7.20]	57 [2.05]	40.4 kg [89 lbs.] - 61.4 kg [135 lbs.]

Note: DIM A is 300mm for the below options:

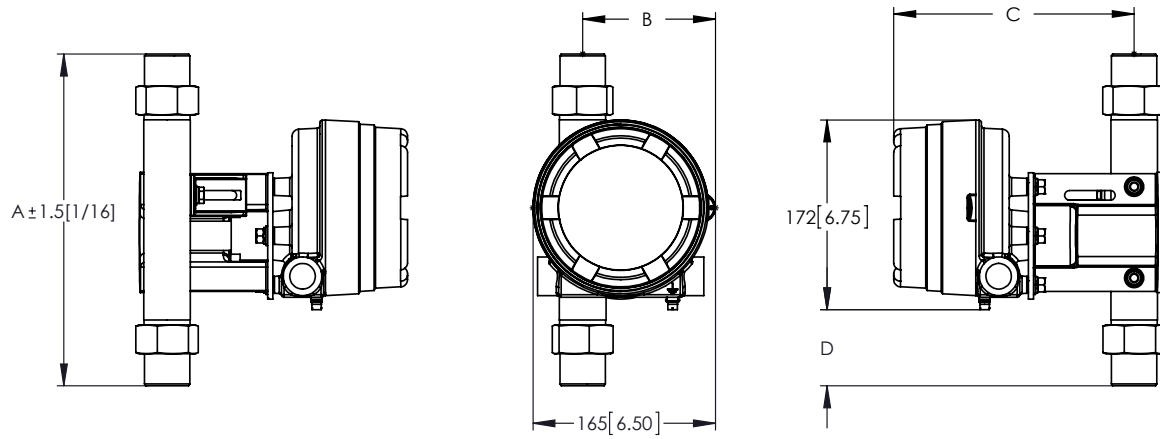
Sizes 7/8 1.5 to 2" 600# RF

ELF 2" 300# RF

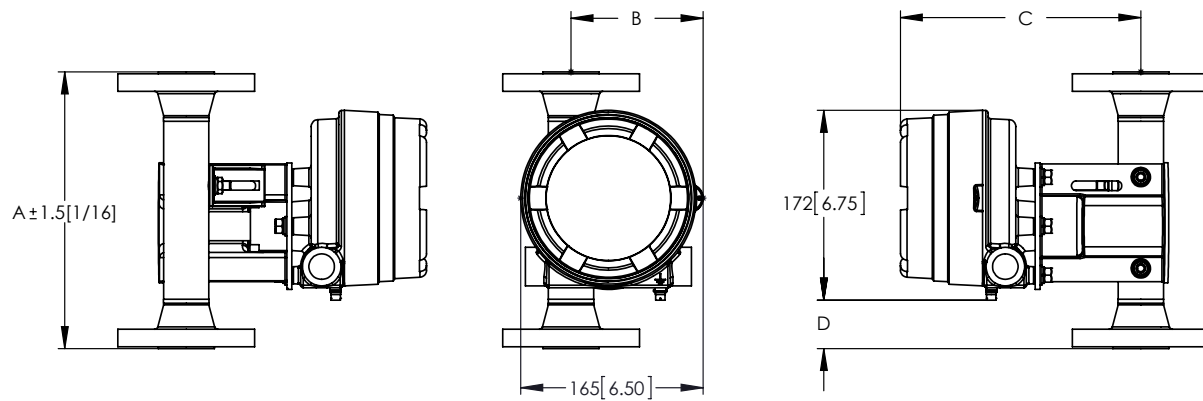
SIZE 10 2" 600# RF

Consult factory for 900/1500# & 2500# Flanged Meter Dimensions

Model 3809 Explosion Proof Indicator Housing with Threaded Female Connections mm [inches]



Model 3809 Explosion Proof Indicator Housing with Flanged Connections mm [inches]



Meter Size	Connection	A	B	C	D	Weight (Approx.)*
0-5	1/2" Threaded Female	225 [8.85]	113 [4.45]	218 [8.58]	41 [1.61]	11.8 kg [26 lbs.]
	1" Threaded Male	200 [7.87]	114 [4.49]	218 [8.58]	28 [1.10]	11.8 kg [26 lbs.]
7 & 8	1/2" Threaded Female	225 [8.85]	113 [4.45]	218 [8.58]	41 [1.61]	11.8 kg [26 lbs.]
	3/4" Threaded Female	225 [8.85]	113 [4.45]	218 [8.58]	41 [1.61]	11.8 kg [26 lbs.]
10	1" Threaded Male	200 [7.87]	114 [4.49]	218 [8.58]	28 [1.10]	11.8 kg [26 lbs.]
	1" Threaded Female	300 [11.81]	120 [4.72]	218 [8.58]	78 [3.07]	13.6 kg [30 lbs.]
12	1-1/2" Threaded Male	250 [9.84]	121 [4.76]	218 [8.58]	53 [2.09]	13.6 kg [30 lbs.]
	1-1/2" Threaded Female	300 [11.81]	129 [5.08]	218 [8.58]	78 [3.07]	15.9 kg [35 lbs.]
13	2-1/2" Threaded Male	250 [9.84]	131 [5.16]	218 [8.58]	53 [2.09]	15.9 kg [35 lbs.]
	2" Threaded Female	300 [11.81]	135 [5.31]	218 [8.58]	78 [3.07]	16.8 kg [37 lbs.]
0-5	Flanged (ANSI DIN and JIS)	250 [9.84]	113 [4.45]	218 [8.58]	53 [2.09]	13.2 kg [29 lbs.] - 15.6 kg [34 lbs.]
		250 [9.84]	113 [4.45]	218 [8.58]	53 [2.09]	13.2 kg [29 lbs.] - 21 kg [46 lbs.]
250 [9.84]		120 [4.72]	218 [8.58]	53 [2.09]	16.8 kg [37 lbs.] - 23.6 kg [52 lbs.]	
250 [9.84]		129 [5.08]	218 [8.58]	53 [2.09]	21.3 kg [47 lbs.] - 26.8 kg [59 lbs.]	
250 [9.84]		135 [5.31]	218 [8.58]	53 [2.09]	23.1 kg [51 lbs.] - 37 kg [81 lbs.]	
250 [9.84]		153 [6.02]	218 [8.58]	53 [2.09]	29 kg [64 lbs.] - 54 kg [119 lbs.]	
350 [13.78]		168 [6.61]	218 [8.58]	103 [4.06]	46.7 kg [103 lbs.] - 67.7 kg [149 lbs.]	

Note: DIM A is 300mm for the below options:

Sizes 7/8 1.5 to 2" 600# RF

ELF 2" 300# RF

SIZE 10 2" 600# RF

Consult factory for 900/1500# & 2500# Flanged Meter Dimensions

Pressure & Temperature Ratings, NPT Male

NPT - Male - Standard Design							
316/316L							
Temperature		#7/8		#10		#12	
°F	°C	psi	Bar	psi	Bar	psi	Bar
-325	-198	4699	324	3785	261	3684	254
100	38	4699	324	3785	261	3684	254
212	100	4018	277	3234	223	3147	217
392	200	3379	233	2712	187	2654	183
572	300	3002	207	2408	166	2350	162
752	400	2785	192	2248	155	2190	151

NPT - Male - Standard Design							
Hastelloy Alloy C-276							
Temperature		#7/8		#10		#12	
°F	°C	psi	Bar	psi	Bar	psi	Bar
-325	-198	4989	344	5163	356	5033	347
100	38	4989	344	5163	356	5033	347
212	100	4511	311	4670	322	4540	313
392	200	3931	271	4061	280	3960	273
572	300	3466	239	3597	248	3495	241
752	400	3176	219	3292	227	3205	221

NPT - Male - Standard Design							
Titanium Gr. 2							
Temperature		#7/8		#10		#12	
°F	°C	psi	Bar	psi	Bar	psi	Bar
-75	-59	3046	210	3147	217	3075	212
100	38	3046	210	3147	217	3075	212
212	100	2596	179	2683	185	2611	180
392	200	1900	131	1973	136	1914	132
572	300	1450	100	1494	103	1450	100
617	325	1349	93	1407	97	1363	94

NPT - Male - Standard Design							
Inconel Alloy 625							
Temperature		#7/8		#10		#12	
°F	°C	psi	Bar	psi	Bar	psi	Bar
-325	-198	5758	397	5961	411	5802	400
100	38	5758	397	5961	411	5802	400
212	100	5758	397	5961	411	5802	400
392	200	5540	382	5729	395	5584	385
572	300	5279	364	5453	376	5323	367
752	400	5062	349	5236	361	5105	352

NPT - Male - ELF - 2500LBS Design*			
316/316L			
Temperature		ELF	
°F	°C	psi	Bar
-58 to 122	-50 to 50	6000	414
212	100	5100	351.6
392	200	4311	297.2
572	300	3822	263.5

NPT - Male - ELF - 2500LBS Design*			
Titanium Gr. 2			
Temperature		ELF	
°F	°C	psi	Bar
-58 to 122	-50 to 50	5100	352
212	100	4335	298.9
392	200	3017	208.0
572	300	2293	158.1

NPT - Male - ELF - 2500LBS Design*			
Alloy C-276/ Alloy 625			
Temperature		ELF	
°F	°C	psi	Bar
-58 to 122	-50 to 50	6250	431
212	100	6228	429.4
392	200	5842	402.8
572	300	5179	357.1

* ELF 2500# Design (Kalrez 4079)

Temperature Cut-off Tables

Meter with 316 SS Mechanical Indicator

Connection type	Process Temperature		Ambient Temperature	
	°C	°F	°C	°F
Flanged / MNPT	-198 to 420	-325 to 788	-55 to 75	-67 to 167
Threaded female	-50 to 300*	-58 to 572*	-55 to 75	-67 to 167
ETFE lined	-30 to 150	-22 to 302	-30 to 40	-22 to 104

Meter with Aluminum Mechanical Indicator

Connection type	Process Temperature		Ambient Temperature	
	°C	°F	°C	°F
Flanged / MNPT	-198 to 300	-325 to 572	-55 to 75	-67 to 167
Threaded female	-50 to 300*	-58 to 572*	-55 to 75	-67 to 167
ETFE lined	-30 to 150	-22 to 302	-30 to 40	-22 to 104

Ambient Temperatures with Electrical Components

Option	°C	°F
Transmitter	-40 to 70	-40 to 158
Transmitter w/display	-20 to 70	-4 to 158
Inductive switches	-40 to 70	-40 to 158

Insulation required when process temperatures are greater than 300°C/572°F.
Refer to Instruction Manual for details

Meter with Electrical Components - Ambient Temperature 30°C / 86°F

Connection type	Process Temperature	
	°C	°F
Transmitter	-198 to 420	-325 to 788
Transmitter w/display	-198 to 420	-325 to 788
Inductive switches	-198 to 420	-325 to 788

Meter with Electrical Components - Ambient Temperature 60°C / 140°F

Connection type	Process Temperature	
	°C	°F
Transmitter	-198 to 200	-325 to 392
Transmitter w/display	-198 to 175	-325 to 350
Inductive switches	-198 to 200	-325 to 392

Elastomer Materials	Minimum Temperature		Maximum Temperature	
	°F	°C	°F	°C
Kalrez 4079	-58	-50	572	300
Kalrez 3018	-31	-35	550	288
Teflon PTFE	-58	-50	482	250
Viton A	5	-15	400	204
Teflex (Viton core, FEP jacket)	5	-15	400	204

Flow Capacities, Pressure Drop and Viscosity Immunity Ceiling Values

Meter type	Meter size	Connection size		Float code	Float material	water ³				air ^{1,2}				Pressure drop mbar	Pressure drop inches WC	VIC cSt	Max visc. cSt	PED category
		DIN (mm)	ANSI (inch)			max volume flow	unit	max volume flow	unit	max volume flow	unit	max volume flow	unit					
MT3809 ELF	0	15	1-1/2"	0	Titanium	0.96	gph	0.25	scfh	1.6	In/h	44	12	5	1	5	SEP	
	1				1.3	0.34		2.1		59		12	5	1	10	SEP		
	2				3.6	0.96		4.9		130		12	5	1	20	SEP		
	3				10	2.8		12		350		12	5	1	35	SEP		
	4				21	5.5		23		650		32	13	1	70	SEP		
	5				42	11		53		1400		38	15	1	100	SEP		
MT3809 / MT3810	7	15	1-1/2"	A	SS316	25	l/h	0.11	scfm	0.49	m ³ /h	0.8	30	13	1	40	SEP	
				B ⁴		65		0.28		1.2		2.1	30	13	1	20	SEP	
				C		130		0.59		2.4		3.9	30	13	1	120	SEP	
				D ⁴		200		0.88		3.7		6.1	35	15	1	20	SEP	
	8	A	250	1.1		5.2		8.5		45		19	2	250	SEP			
		B	400	1.7		7.7		12		55		23	1	180	SEP			
		C	650	2.8		11		19		60		25	2	475	SEP			
		D	1000	4.4		21		35		130		53	1.5	250	SEP			
	10	25	1"	A		1200		5.2		19		31	60	25	5	300	CAT I, II or III	
				B		1500		6.6		31		51	70	29	1.5	300	CAT I, II or III	
				C		2400		10		41		68	85	35	7	300	CAT I, II or III	
				D		3500		15		65		100	155	63	4	300	CAT I, II or III	
	12	40	1-1/2"	A		4000		17		67		100	50	21	50	300	CAT I, II or III	
				B		6000		26		95		150	60	25	30	300	CAT I, II or III	
				C		8000		35		150		240	150	61	2	300	CAT I, II or III	
				D		10000		46		210		340	300	121	2	300	CAT I, II or III	
	13	50	2"	A		6500		28		100		160	50	21	50	300	CAT I, II or III	
				B		9500		41		160		260	60	25	50	300	CAT I, II or III	
				C		12000		55		200		330	100	41	2.5	300	CAT I, II or III	
				D		20000		88		390		650	300	121	1	300	CAT I, II or III	
	15	80	3"	A		20000		88		390		640	110	45	8	300	CAT I, II or III	
				B		30000		130		550		900	140	57	7	300	CAT I, II or III	
				C		40000		170		750		1200	280	113	5	300	CAT I, II or III	
	16	100	4"	A		49000		210		N/A		N/A	160	65	15	300	CAT I, II or III	
B				70000	300	N/A	N/A	210	85	10	300	CAT I, II or III						
C				100000	440	N/A	N/A	300	121	5	300	CAT I, II or III						
MT3809 TFE Lined ⁵	7	15	1-1/2"	A	Hastel-C	110	gpm	0.48	scfm	2.2	m ³ /h	3.7	25	11	1	2	SEP	
				B		170		0.75		3.5		5.8	50	21	1	2	SEP	
				A		250		1.1		5.1		8.3	30	13	1	2	SEP	
				B		420		1.8		8.5		13	45	19	1	2	SEP	
	8	15	1-1/2"	C		500		2.2		9.9		16	40	17	1	2	SEP	
				D		850		3.7		18		30	130	53	1	2	SEP	
				A		1400		6.2		27		45	45	19	2	3	CAT I, II or III	
				B		2000		8.8		39		63	106	43	2	3	CAT I, II or III	
	10	25	1"	C		2400		10		47		77	90	37	2	3	CAT I, II or III	
				D		3000		13		58		95	130	53	2	3	CAT I, II or III	
				A		3000		13		58		95	50	21	2	3	CAT I, II or III	
				B		4000		18		73		120	75	31	2	3	CAT I, II or III	
12	40	1-1/2"	C	5000	22	94	150	85	35	2	3	CAT I, II or III						
			D	6000	26	110	180	120	49	2	3	CAT I, II or III						
			A	6000	26	110	180	95	39	2	3	CAT I, II or III						
			B	8000	35	150	250	125	51	2	3	CAT I, II or III						
13	50	2"	C	12000	53	220	370	200	81	2	3	CAT I, II or III						
			D	15000	66	280	470	225	91	2	3	CAT I, II or III						

¹ Air flows in scfm or scfh are given at 70°F and 14.7 psia

² Air flows in m³/h or In/h are given at 0°C and 1,013 bar(a)

³ Water flows in l/h, gph and gpm are given at 70°F

⁴ Minimum operating pressure required 7 psig / 0.48 bar

⁵ For TFE lined gas applications operating pressure must be greater than 29 psia / 2 bar(a)

4-20mA w/ HART Transmitter, Alarms, Display & Pulse Output



Design Features

- 4-20 mA analog output for flowrate
- Bell-202 modulated HART digital communication over the 4-20 mA signal
- Current loop powered 2-wire connection
- User selectable 0% and 100% analog output ranges with optional smoothing
- Flexible (mix & match) units of measure for flowrates, totals, temperatures, densities, etc.
- Two flow totalizers: Resettable and inventory totalization
- User configurable, scalable pulse output for various engineering units
- Hi- and Lo-flow alarm output

Description

The 4-20 mA with HART transmitter is a compact microprocessor device designed to interface directly with the Model MT3809. This transmitter includes a Hi- and Lo alarm switch output and a pulse output.

The HART digital communication signals are superimposed on top of the 4-20 mA signal, allowing communication of more than just the process variable.

The transmitter is HART-programmable or for numerous variables such as flow rate, totalization, calibration factors, and high-low alarm parameters. It is programmable with easy-to-use hand held configurators. Prior to shipment, commonly used default values are programmed by Brooks to ensure ease of operation and quick startup. However, parameters may be reprogrammed by the user if needed. Flow rate information may be viewed locally at the meter scale, LCD display or displayed remotely.

Power supply voltage	21 to 30 Vdc: (2-wire current loop transmitter)
Loop current / current consumption range	3.8 to 22.0 mA.
Hi- and Lo-alarm outputs	Open collector alarm output Optically isolated outputs assignable to alarms. <ul style="list-style-type: none"> • Max. off-state voltage: 30 Vdc • Max. off-state current: 0,05 mA • Max. on-state voltage: 1.2 Vdc • Max. on-state current: 20 mA
Pulse Output	Optically isolated. Scalable to a variety of engineering unit systems (pulses per liter, gallons, etc.). <ul style="list-style-type: none"> • Range: 1 Hz to 1 kHz • Max. off-state voltage: 30 Vdc • Max. off-state current: 0.05 mA • Max. on-state voltage: 1.2 Vdc • Max. on-state current: 20 mA
Temperature Specification	See Temperature Cut-off Table
Electrical Connector	M20 x 1,5 according to ISO (1/2" NPT, 3/4" NPT (F) or cable gland optional) <ul style="list-style-type: none"> • Brass/Nickel plated cable gland cable diameter range 8-11 mm (Aluminum housing) • Stainless steel cable gland cable diameter range 7-10.5 mm (SS housing)
Linearity	Less than 1% at max. current.
Temperature influence	Less than 0.04% per °C.
Voltage influence	Less than 0.002% / Vdc.
Load resistance influence	± 0.1% full scale.
HART Revision	HART-7

FOUNDATION™ Fieldbus Transmitter, with Alarms, Display & Pulse Output



Design Features

- FOUNDATION™ Fieldbus digital communication network interface
- Ease of wiring and installation with a single 2-wire bus connection
- Powered over 2-wire FOUNDATION™ Fieldbus connection
- Flexible (mix & match) units of measure for flowrates, totals, temperatures, densities, etc.
- Two flow totalizers: Resettable and inventory totalization
- User configurable, scalable pulse output for various engineering units
- Hi- and Lo-flow alarm output

Description

The FOUNDATION™ Fieldbus transmitter is a compact microprocessor device designed to interface directly with the Model MT3809. The transmitter communicates over the 2-wire network per the international FOUNDATION™ Fieldbus standard for access to numerous variables such as flow rate, totalization, calibration factors, and high-low alarm parameters.

Power supply voltage	9-32Vdc
Power supply protection	Protected against reverse polarity
Current consumption	12 mA Entire transmitter is powered from 2-wire bus
Hi- and Lo-alarm outputs	Open collector alarm output Optically isolated outputs assignable to alarms. <ul style="list-style-type: none"> • Max. off-state voltage: 30 Vdc • Max. off-state current: 0,05 mA • Max. on-state voltage: 1.2 Vdc • Max. on-state current: 20 mA
Pulse Output	Optically isolated. Scalable to a variety of engineering unit systems (pulses per liter, gallons, etc.). <ul style="list-style-type: none"> • Range: 1 Hz to 1 kHz • Max. off-state voltage: 30 Vdc • Max. off-state current: 0.05 mA • Max. on-state voltage: 1.2 Vdc • Max. on-state current: 20 mA
Temperature Specification	See Temperature Cut-off Table
Electrical Connector	M20 x 1,5 according to ISO (1/2" NPT, 3/4" NPT (F) or cable gland optional) <ul style="list-style-type: none"> • Brass/Nickel plated cable gland cable diameter range 8-11 mm (Aluminum housing) • Stainless steel cable gland cable diameter range 7-10.5 mm (SS housing)
Linearity	Less than 1%
Temperature Influence	Less than 0.04% per °C
Voltage influence	Less than 0.002% / Vdc
FOUNDATION Fieldbus Revision	ITK6

Inductive Alarm Switches



Design Features

- 1 or 2 normally open inductive limit switches
- Optional intrinsically safe power supply/amplifier/relay unit
- For low or high limit signaling/switching
- Front adjustable
- Optional Relay Power Supply – recommended

Description

One or two electronic limit switches can be installed in the indicator housing to allow signaling or switching functions on a preset flow value. The limit switch operates as a slot initiator that is inductively actuated by a disc mounted on the pointer shaft. Any flow value can be used for setting the limit value by sliding the initiator along the indicator scale. Minimum setting distance between two limit switches is approximately 40% full scale. The position of the initiator also serves to visually indicate the signaling set value. Settings can be adjusted by removing the indicator cover, loosening, moving and retightening of the alarm indication needle, and replacement of the indicator front cover.

Power supply voltage	5 - 25 Vdc: (8 Vdc nominal)
Impedance	- Approximately 1 kohm with cam absent - Approximately 8 kohm with cam present
Ambient and process temperature	See Temperature Cut-off Table
Electrical Connector	M20 x 1,5 according to ISO (1/2" NPT, 3/4" NPT (F) or cable gland optional) <ul style="list-style-type: none"> • Brass/Nickel plated cable gland cable diameter range 8-11 mm (Aluminum housing) • Stainless steel cable gland cable diameter range 7-10.5 mm (SS housing)

Optional Valves, Flow Controllers and Electronic Features

Optional Valves and Flow Controllers

Needle valves and flow controllers may be externally piped into the inlet or outlet side of the instrument. Needle valves can be supplied up to size 12 1-1/2" maximum 10000 l/hr / 46 gpm water equivalent. Needle valves and flow controllers will be supplied separately with the flanged meter.

Optional Electronic Features

Electronic equipment available with the Model MT3809 includes:

- Current loop 4-20 mA/HART Transmitter with Alarms and Pulse Output
- FOUNDATION Fieldbus Transmitter with Alarms and Pulse Output
- Inductive Alarms; stand-alone or in combination with above transmitters

Refer to the table below for the model code nomenclature for the electronics options. All models are designed to be either intrinsically safe or explosion proof.

Nomenclature and Type Designation

MT3809 ... B ...
I-IV XV

XV	Electronics configuration	B, C	Indicator with inductive alarm, 1 or 2 switches
		D ... L	Transmitter, 4 – 20 mA / Hart, with optionally: - pulse output - inductive alarm contact(s) - LOI or combinations thereof.
		M ... U	Transmitter, FOUNDATION Fieldbus, with optionally: - pulse output - inductive alarm contact(s) - LOI or combinations thereof.

Product Approvals




Declarations	Mark	Meter Options				Standards/Directives/Marking	Declaration/ Certificate
		Mechanical	HART Transmitter	Foundation Fieldbus Transmitter	Inductive Alarm		
EU Declaration of Conformity			✓	✓	✓	EMC Directive (2014/30/EU)	Declaration
		✓	✓	✓	✓	RoHS Directive (2011/65/EU)	Declaration
		✓	✓	✓	✓	Pressure Equipment Directive (2014/68/EU)	Declaration
SIL Declaration				✓	IEC 61508-2: 2010	Declaration	
NAMUR Declaration			✓		NAMUR NE21, NE43	Declaration	
IP66/67			✓	✓	IEC 60529 (Stainless Steel Enclosure)	DEKRA Certificate	
IP64			✓	✓	IEC 60529 (Aluminum Enclosure)	DEKRA Certificate	
IP66/67		✓			IEC 60529 (Stainless Steel or Aluminum Enclosure)	DEKRA Certificate	
Explosion Safety "Flame Proof" For temperature limits, see Table: Process and ambient temperature limits Flame Proof / Ex-d	ATEX 		✓	✓	II 2 G Ex db IIC T6...T1 Gb II 2 D Ex tb IIIC T85°C...T450°C Db Ex db IIC T6...T1 Gb Ex tb IIIC T85°C...T450°C Db Standards used for evaluation: (13ATEX0086X and IECEx DEK13.0027X) EN 60079-0:2012+A11:2013, EN 60079-1:2014, EN 60079-31:2014 IEC 60079-0:2011 mod + Cor.:2012 + Cor.:2013, IEC 60079-1:2014, IEC 60079-31:2013 Special conditions for safe use: For information regarding the dimension of the flameproof joints the manufacturer shall be contacted. Electrical connections conditions: For application in environments requiring EPL Gb the threaded entries of the enclosure shall be sealed with plugs, cable entry devices such as glands or conduit entry devices which are Ex db IIC Gb approved. For application in environments requiring EPL Db the threaded entries of the enclosure shall be sealed with plugs, cable entry devices such as glands or conduit entry devices which are Ex tb IIIC Db approved. For application in environments requiring EPL Gb or EPL Db, in case the optional surge protector is used, the surge protector shall be installed with a high strength locking compound on the mounting thread.	DEKRA 13ATEX0086X IECEx DEK13.0027X	
Explosion Safety "Constructional Safety (c)" Non-Electrical / Mechanical ATEX	ATEX 	✓			II2G Ex h IIC T6...T3 Gb II2D Ex h IIIC T200°C Db -20°C ≤ Ta ≤ 70°C Special conditions for safe use: Enclosure contains glass & painted aluminum parts. If it is mounted in an area where the use of category 2G or 2D apparatus is required, it must be installed such that ignition source due to propagating brush discharge sparks are excluded. The actual maximum surface temperature of the equipment depends not on the equipment itself, but on operating conditions of the process fluid/gas flowing through the equipment. The equipment by itself does not generate heat. Due to this reason the temperature class is marked as a range. The maximum permitted ambient and process temperature limits can be found in the operating instructions. At start up especially for gas applications, ensure that the pressure is gradually increased through the piping system. A sudden pressure spike situation may result in a fast movement of the float within the VA flowmeter & the float may hit hard against the float stop. Supply grounding connection by the process connections or earthing terminal.	MBID 022	

Table continued on next page

Product Approvals (continued)









Declarations	Mark	Meter Options				Standards/Directives/Marking	Declaration/Certificate																															
		Mechanical	HART Transmitter	Foundation Field Bus Transmitter	Inductive Alarm																																	
Explosion safety "Intrinsic Safety (ia)" "Non-sparking (nA)" "Enclosure Dust (tc)"	ATEX  IECEX		✓	✓	✓		DEKRA 13ATEX0086X IECEX DEK13.0027X																															
For temperature limits, see Table: Process and ambient temperature limits Intrinsic Safety / Non-Sparking / Enclosure dust						<table border="1"> <thead> <tr> <th>Option</th> <th>Enclosure Type</th> <th>M1</th> <th>M2</th> <th>M1 = Apparatus with Transmitter only M2 = Apparatus with Inductive Alarm</th> </tr> </thead> <tbody> <tr> <td rowspan="3">Unit without Digital Display</td> <td>Aluminum</td> <td>✓</td> <td>✓</td> <td>II 2 G Ex ia IIC T6...T4 Gb II 2 D Ex ia IIIC T85 °C...T135 °C Db II 3 G Ex nA IIC T6...T4 Gc II 3 D Ex tc IIIC T85 °C...T135 °C Dc II 3 G Ex ic IIC T6...T4 Gc II 3 D Ex ic IIIC T85 °C...T135 °C Dc</td> </tr> <tr> <td>Stainless Steel</td> <td>✓</td> <td>✓</td> <td>II 1 G Ex ia IIC T6...T3 Ga II 2 D Ex ia IIIC T85 °C...T200 °C Db II 3 G Ex nA IIC T6...T3 Gc II 3 D Ex tc IIIC T85 °C...T200 °C Dc II 3 G Ex ic IIC T6...T3 Gc II 3 D Ex ic IIIC T85 °C...T200 °C Dc</td> </tr> <tr> <td>Stainless Steel High Temperature</td> <td>✓</td> <td>✓</td> <td>II 1 G Ex ia IIC T6...T2 Ga II 2 D Ex ia IIIC T85 °C...T300 °C Db II 3 G Ex nA IIC T6...T2 Gc II 3 D Ex tc IIIC T85 °C...T300 °C Dc II 3 G Ex ic IIC T6...T2 Gc II 3 D Ex ic IIIC T85 °C...T300 °C Dc</td> </tr> <tr> <td rowspan="3">Unit with Digital Display</td> <td>Aluminum</td> <td>✓</td> <td>✓</td> <td>II 2 G Ex ia IIC T4 Gb II 2 D Ex ia IIIC T135 °C Db II 3 G Ex nA IIC T4 Gc II 3 D Ex tc IIIC T135 °C Dc II 3 G Ex ic IIC T4 Gc II 3 D Ex ic IIIC T135 °C Dc</td> </tr> <tr> <td>Stainless Steel</td> <td>✓</td> <td>✓</td> <td>II 1 G Ex ia IIC T4...T3 Ga II 2 D Ex ia IIIC T135 °C...T200 °C Db II 3 G Ex nA IIC T4...T3 Gc II 3 D Ex tc IIIC T135 °C...T200 °C Dc II 3 G Ex ic IIC T4...T3 Gc II 3 D Ex ic IIIC T135 °C...T200 °C Dc</td> </tr> <tr> <td>Stainless Steel High Temperature</td> <td>✓</td> <td>✓</td> <td>II 1 G Ex ia IIC T4...T2 Ga II 2 D Ex ia IIIC T135 °C...T300 °C Db II 3 G Ex nA IIC T4...T2 Gc II 3 D Ex tc IIIC T135 °C...T300 °C Dc II 3 G Ex ic IIC T4...T2 Gc II 3 D Ex ic IIIC T135 °C...T300 °C Dc</td> </tr> </tbody> </table>	Option	Enclosure Type	M1	M2	M1 = Apparatus with Transmitter only M2 = Apparatus with Inductive Alarm	Unit without Digital Display	Aluminum	✓	✓	II 2 G Ex ia IIC T6...T4 Gb II 2 D Ex ia IIIC T85 °C...T135 °C Db II 3 G Ex nA IIC T6...T4 Gc II 3 D Ex tc IIIC T85 °C...T135 °C Dc II 3 G Ex ic IIC T6...T4 Gc II 3 D Ex ic IIIC T85 °C...T135 °C Dc	Stainless Steel	✓	✓	II 1 G Ex ia IIC T6...T3 Ga II 2 D Ex ia IIIC T85 °C...T200 °C Db II 3 G Ex nA IIC T6...T3 Gc II 3 D Ex tc IIIC T85 °C...T200 °C Dc II 3 G Ex ic IIC T6...T3 Gc II 3 D Ex ic IIIC T85 °C...T200 °C Dc	Stainless Steel High Temperature	✓	✓	II 1 G Ex ia IIC T6...T2 Ga II 2 D Ex ia IIIC T85 °C...T300 °C Db II 3 G Ex nA IIC T6...T2 Gc II 3 D Ex tc IIIC T85 °C...T300 °C Dc II 3 G Ex ic IIC T6...T2 Gc II 3 D Ex ic IIIC T85 °C...T300 °C Dc	Unit with Digital Display	Aluminum	✓	✓	II 2 G Ex ia IIC T4 Gb II 2 D Ex ia IIIC T135 °C Db II 3 G Ex nA IIC T4 Gc II 3 D Ex tc IIIC T135 °C Dc II 3 G Ex ic IIC T4 Gc II 3 D Ex ic IIIC T135 °C Dc	Stainless Steel	✓	✓	II 1 G Ex ia IIC T4...T3 Ga II 2 D Ex ia IIIC T135 °C...T200 °C Db II 3 G Ex nA IIC T4...T3 Gc II 3 D Ex tc IIIC T135 °C...T200 °C Dc II 3 G Ex ic IIC T4...T3 Gc II 3 D Ex ic IIIC T135 °C...T200 °C Dc	Stainless Steel High Temperature	✓	✓	II 1 G Ex ia IIC T4...T2 Ga II 2 D Ex ia IIIC T135 °C...T300 °C Db II 3 G Ex nA IIC T4...T2 Gc II 3 D Ex tc IIIC T135 °C...T300 °C Dc II 3 G Ex ic IIC T4...T2 Gc II 3 D Ex ic IIIC T135 °C...T300 °C Dc	
						Option	Enclosure Type	M1	M2	M1 = Apparatus with Transmitter only M2 = Apparatus with Inductive Alarm																												
						Unit without Digital Display	Aluminum	✓	✓	II 2 G Ex ia IIC T6...T4 Gb II 2 D Ex ia IIIC T85 °C...T135 °C Db II 3 G Ex nA IIC T6...T4 Gc II 3 D Ex tc IIIC T85 °C...T135 °C Dc II 3 G Ex ic IIC T6...T4 Gc II 3 D Ex ic IIIC T85 °C...T135 °C Dc																												
							Stainless Steel	✓	✓	II 1 G Ex ia IIC T6...T3 Ga II 2 D Ex ia IIIC T85 °C...T200 °C Db II 3 G Ex nA IIC T6...T3 Gc II 3 D Ex tc IIIC T85 °C...T200 °C Dc II 3 G Ex ic IIC T6...T3 Gc II 3 D Ex ic IIIC T85 °C...T200 °C Dc																												
							Stainless Steel High Temperature	✓	✓	II 1 G Ex ia IIC T6...T2 Ga II 2 D Ex ia IIIC T85 °C...T300 °C Db II 3 G Ex nA IIC T6...T2 Gc II 3 D Ex tc IIIC T85 °C...T300 °C Dc II 3 G Ex ic IIC T6...T2 Gc II 3 D Ex ic IIIC T85 °C...T300 °C Dc																												
						Unit with Digital Display	Aluminum	✓	✓	II 2 G Ex ia IIC T4 Gb II 2 D Ex ia IIIC T135 °C Db II 3 G Ex nA IIC T4 Gc II 3 D Ex tc IIIC T135 °C Dc II 3 G Ex ic IIC T4 Gc II 3 D Ex ic IIIC T135 °C Dc																												
							Stainless Steel	✓	✓	II 1 G Ex ia IIC T4...T3 Ga II 2 D Ex ia IIIC T135 °C...T200 °C Db II 3 G Ex nA IIC T4...T3 Gc II 3 D Ex tc IIIC T135 °C...T200 °C Dc II 3 G Ex ic IIC T4...T3 Gc II 3 D Ex ic IIIC T135 °C...T200 °C Dc																												
							Stainless Steel High Temperature	✓	✓	II 1 G Ex ia IIC T4...T2 Ga II 2 D Ex ia IIIC T135 °C...T300 °C Db II 3 G Ex nA IIC T4...T2 Gc II 3 D Ex tc IIIC T135 °C...T300 °C Dc II 3 G Ex ic IIC T4...T2 Gc II 3 D Ex ic IIIC T135 °C...T300 °C Dc																												
						<p>Standards used for evaluation: (13ATEX0086X and IECEX DEK13.0027X) EN 60079-0:2012+A11:2013, EN 60079-11:2012, EN 60079-15:2010, EN 60079-31:2014 IEC 60079-0:2011 modified + Cor.:2012 + Cor.:2013, IEC 60079-11:2011 + Cor.:2012, IEC 60079-15:2010, IEC 60079-31:2013</p> <p>Special conditions for safe use:</p> <ul style="list-style-type: none"> • In case the aluminium housing is mounted in an area where the use of EPL Gb (Category 2 G) or EPL Gc (Category 3 G) apparatus is required, the transparent cover must be installed such, that ignition sources due to electrostatic discharge sparks are excluded. • In case the aluminium housing or painted housing is mounted in an area where the use of EPL Db (Category 2 D) or EPL Dc (Category 3 D) apparatus is required, the transparent cover and the painted parts must be installed such, that danger of ignition due to propagating brush discharges is excluded. • For models marked with material code M, Titanium Grade II, the installation instructions contain the specification of the alloy, allowing the user determine the suitability of the equipment for the particular application. • From the safety point of view the circuits shall be assumed to be connected to earth. • On units with digital display the programming function through the LCD display shall only be done outside the hazardous area. • In case the surge protector is used in application with protection techniques Ex nA and Ex tc, the surge protector shall be installed with a high strength locking compound on the mounting thread. 																																

Table continued on next page

Product Approvals (continued)

Declarations	Mark	Meter Options				Standards/Directives/Marking	Status/Certificate
		Mechanical	HART Transmitter	Foundation Field Bus Transmitter	Inductive Alarm		
Explosion safety "Intrinsic Safety (ia)" "Non-sparking (nA)" "Enclosure Dust (tc)"	UL 		✓		✓	Class I, Division 1, Groups A, B, C, and D; Class II, Division 1, Groups E, F, and G; Class III Hazardous Locations Class I, Division 2, Groups A, B, C, and D; Class II, Division 2, Groups F and G; Class III Hazardous Locations Class I, Zone 1, AEx ia IIC T2/T3/T4/T5/T6 Gb Zone 21, AEx ia IIIC T85°C/T100°C/T135°C/T200°C/T300°C Db Class I, Zone 2, AEx nA IIC T2/T3/T4/T5/T6 Gc Zone 22, AEx tc IIIC T85°C/T100°C/T135°C/T200°C/T300°C Dc For temperature limits, see Table: Process and ambient temperature limits <u>Intrinsic Safety / Non-Sparking / Enclosure dust</u>	E73889
Explosion safety "Flame Proof"	CSA 		✓	✓	✓	Ex d IIC T6 Gb / Class I, Div.1 Group A, B, C and D Ex tb IIIC T85 Db / Class II, Div.1, Groups E, F, and G Class I, Zone 1, AEx d IIC T6 Gb / Zone 21, AEx tb IIIC T85 Db For temperature limits, see Table: Process and ambient temperature limits <u>Flame Proof / Ex-d</u>	14.2628516
NEMA 4X - Watertight			✓	✓	✓	NEMA 250 (Stainless Steel Enclosure)	CSA Certificate 14.2628516
NEMA 4X - Watertight		✓				NEMA 250 (Stainless Steel or Aluminum Enclosure)	DEKRA Certificate
CRN		✓	✓	✓	✓	ASME 31.3	CRN Registration Number

Declarations	Mark	Meter Options				Standards/Directives/Marking	Status/Certificate
		Mechanical	HART Transmitter	Foundation Field Bus Transmitter	Inductive Alarm		
Customs Union - Russia Declaration	EAC 	✓	✓		✓	TR CU 032/2013 "On safety of the equipment operating under excessive pressure"	TC N RU Д- U.AY04.B.05988
	EAC 		✓		✓	Customs Union & Russia TR CU 012/2011 1 Ex d IIC «T6...T1» GbX : Ex tb IIIC «T85°C...T400°C» Db X	RU C- HU.ГБ08.B.00741
Explosion safety "Intrinsic Safety (ia)" "Non-sparking (nA)" "Enclosure Dust (tc)"	EAC 		✓		✓	Customs Union & Russia TR CU 012/2011 Zone 1 / Zone2 - Intrinsic safety ia/ic, Zone 2 non-sparking (nA)	RU C- HU.ГБ08.B.00741
Explosion safety "Flame Proof"	NEPSI 		✓		✓	Exd IIC T6..T1 Gb : Ex tb IIIC T85°C...T400°C Db	GYJ14.1304X
	CCOE		✓		✓	Exd IIC T6..T1 Gb : Ex tb IIIC T85°C...T400°C Db	CCEs P349406/1
	KOSHA		✓		✓	Exd IIC T6..T1 Gb : Ex tb IIIC T85°C...T400°C Db	15-AV4BO-0353
Explosion safety "Intrinsic Safety (ia)" "Non-sparking (nA)" "Enclosure Dust (tc)"	NEPSI 		✓		✓	Zone 1 - Intrinsic safety (ia), Zone 2 non-sparking (nA/ic)	GYJ15.1039X GYJ15.1040X

Process and Ambient Temperature Limits

			Maximum Process Temperature (°C)					
		Temperature Class	T6	T5	T4	T3	T2	T1
Approval type	Meter type	Ambient Temperature (°C)						
Flame-proof / Ex-d CSA / ATEX/IECex	Flanged and Male Threaded versions	-40 to 32.5	85	100	135	200	300*	420*
		-40 to 47	85	100	135	200	300*	N/A
		-40 to 58	85	100	135	200	N/A	N/A
		-40 to 65	85	100	135	N/A	N/A	N/A
		-40 to 70	85	100	N/A	N/A	N/A	N/A
	ELF and Female Threaded versions	-40 to 47	85	100	135	200	300*	N/A
		-40 to 58	85	100	135	200	N/A	N/A
		-40 to 65	85	100	135	N/A	N/A	N/A
		-40 to 70	85	100	N/A	N/A	N/A	N/A
	ETFE Lines versions	-40 to 64	85	100	135	150	N/A	N/A
		-40 to 65	85	100	135	N/A	N/A	N/A
		-40 to 70	85	100	N/A	N/A	N/A	N/A
	NOTE		* For application with process temperature equal to or greater than +300 °C heat shield and custom installation required. Refer to installation manual for details.					

			Maximum Process Temperature (°C)					
		Meter Option	Without Digital Display			With or without Digital Display		
		Temperature Class	T6	T6	T5	T4	T3	T2
Approval type	Housing type	Ambient Temperature (°C)	Without Inductive Alarm	With Inductive Alarm	With or without Inductive Alarm	With or without Inductive Alarm	With or without Inductive Alarm	With or without Inductive Alarm
Intrinsic Safety / Non-Sparking / Enclosure dust ATEX/IECex	Aluminum	-40 to +35	85	85	100	135	N/A	N/A
		-40 to +40	85	85	100	126	N/A	N/A
		-40 to +45	85	85	100	115	N/A	N/A
		-40 to +50	85	85	100	104	N/A	N/A
		-40 to +55	85	84	94	94	N/A	N/A
		-40 to +60	84	76	84	84	N/A	N/A
		-40 to +65	76 **	69 **	76	76	N/A	N/A
	-40 to +70 *	69 **	N/A	69	69	N/A	N/A	
	Stainless Steel	-40 to +40	85	85	100	135	200	N/A
		-40 to +45	85	85	100	135	194	N/A
		-40 to +50	85	85	100	135	167	N/A
		-40 to +55	85	85	100	135	138	N/A
		-40 to +60	85	85	100	110	110	N/A
		-40 to +65	85 **	69 **	86	86	86	N/A
	-40 to +70 *	69 **	N/A	69	69	69	N/A	
	Stainless Steel High Temp	-40 to +35	85	85	100	135	200	300
		-40 to +40	85	85	100	135	200	267
		-40 to +45	85	85	100	135	200	221
		-40 to +50	85	85	100	135	182	182
		-40 to +55	85	85	100	135	149	149
		-40 to +60	85	85	100	119	119	119
		-40 to +65	85 **	69 **	91	91	91	91
	-40 to +70 *	69 **	N/A	69	69	69	69	
	NOTE		* Maximum Ambient Temperature for Inductive alarm = +66 °C ** Not Applicable/Available for Foundation Field Transmitter. (Model code XV = M...U)					

Tables continued on next page

Process and Ambient Temperature Limits

			Maximum Process Temperature (°C)					
Meter Option			Without Digital Display			With or Without Digital Display		
Temperature Class			T6	T6	T5	T4	T3	T2
Approval Type	Housing Type	Ambient Temperature (°C)	Without Inductive Alarm	With Inductive Alarm	With or Without Inductive Alarm	With or Without Inductive Alarm	With or Without Inductive Alarm	With or Without Inductive Alarm
Intrinsic Safety / Non-Speaking / Enclosure dust cULus	Aluminum	-40 to 40	85	85	100	126	N/A	N/A
		-40 to 45	85	85	100	115	N/A	N/A
		-40 to 50	85	85	100	104	N/A	N/A
		-40 to 55	85	84	94	94	N/A	N/A
		-40 to 60	84	76	84	84	N/A	N/A
		-40 to +65	76	69	76	76	N/A	N/A
		-50 to +70*	69	N/A	69	69	N/A	N/A
	Stainless Steel	-40 to 40	85	85	100	135	200	N/A
		-40 to 45	85	85	100	135	194	N/A
		-40 to 50	85	85	100	135	167	N/A
		-40 to 55	85	85	100	135	138	N/A
		-40 to 60	85	85	100	110	110	N/A
		-40 to +65	85	69	86	86	86	N/A
		-40 to +70*	69	N/A	69	69	69	N/A
	Stainless Steel High Temp	-40 to 40	85	85	100	135	200	267
		-40 to 45	85	85	100	135	200	221
		-40 to 50	85	85	100	135	182	182
		-40 to 55	85	85	100	135	149	149
		-40 to 60	85	85	100	119	119	119
		-40 to +65	85	69	91	91	91	91
		-40 to +70*	69	N/A	69	69	69	69
NOTE *Maximum Ambient Temperature for Inductive alarm = +66 °C								

Approval Type	Housing Type	Ambient Temperature (°C)
ATEX - Zone 1 / Zone 2, Non-Electrical	Aluminum	-20 to 70
	Stainless Steel	-20 to 70

Electronics configuration	Function / signal	Ui, V	Ii, mA	Pi, mW	Ci, nF	Li, µH	Recommended Barrier #
4-20mA / HART	Signal 4-20mA (J1 terminals 12+ and 13-)	28	96	605	2,2	0.365	Stahl Type: 9260-13-11-10S Stahl Type : 9001/01-280-075-101
	Pulse output (J1 terminals 7+ and 8-)	10,6	19,1	51	≈0	≈0	Pepperl & Fuchs: KFA5-SR2-EX2.W KFA6-SR2-EX2.W
		10,5	13	34	≈0	≈0	Pepperl & Fuchs: KFD2-SR2-EX2.W
	Alarm circuits A (J1 terminals 1+ and 2-)	10,6	19,1	51	≈0	≈0	Pepperl & Fuchs: KFA5-SR2-EX2.W KFA6-SR2-EX2.W
		10,5	13	34	≈0	≈0	Pepperl & Fuchs: KFD2-SR2-EX2.W
	Alarm circuits B (J1 terminals 4+ and 5-)	10,6	19,1	51	≈0	≈0	Pepperl & Fuchs: KFA5-SR2-EX2.W KFA6-SR2-EX2.W
		10,5	13	34	≈0	≈0	Pepperl & Fuchs: KFD2-SR2-EX2.W
		Uo, V	Io, mA	Po, mW	Co, µF	Lo, mH	Notes
	Remote zero loop signal (J1 terminals 10+ and 11-)	28	2,83	80	0.083	44	

		Ui, V	Ii, mA	Pi, mW	Ci, nF	Li, mH	Recommended Barrier #
Foundation Fieldbus	FOUNDATION Fieldbus loop (J1 terminals 10+/11+ and 12-/13-)	24	380	5320	0	0	FISCO barrier
	Pulse output (J1 terminals 5+ and 6-)	10,6	19,1	51	≈0	≈0	Pepperl & Fuchs: KFA5-SR2-EX2.W KFA6-SR2-EX2.W
		10,5	13	34	≈0	≈0	Pepperl & Fuchs: KFD2-SR2-EX2.W
	Alarm circuits A (J1 terminals 1+ and 2-)	10,6	19,1	51	≈0	≈0	Pepperl & Fuchs: KFA5-SR2-EX2.W KFA6-SR2-EX2.W
	Alarm circuits B (J1 terminals 3+ and 4-)	10,6	19,1	51	≈0	≈0	Pepperl & Fuchs: KFA5-SR2-EX2.W KFA6-SR2-EX2.W
		Uo, V	Io, mA	Po, mW	Co uF	Lo mH	Notes
	Remote zero loop signal (J1 terminals 8+ and 9-)	8,03	0,81	6,5	8,4	1215	

		Ui, V	Ii, mA	Pi, mW	Ci, nF	Li, µH	Recommended Barrier #
Inductive Alarms	Inductive High Alarm circuits (terminals «+» and «-») – for connection of circuits Pepperl+Fuchs mod. SJ 3,5-SN type 2	10,6	19,1	51	30	100	Pepperl & Fuchs:KFA5-SR2-EX2.W or KFA6-SR2-EX2.W
	Inductive Low Alarm circuits (terminals «+» and «-») – for connection of circuits Pepperl+Fuchs mod. SJ 3,5-SN type 2	10,6	19,1	51	30	100	Pepperl & Fuchs:KFA5-SR2-EX2.W or KFA6-SR2-EX2.W

Code Pos.	Applicable for		
	3809	3810	
X			
	x		
		x	
	x		
	x		
	x		
		x	
	x		
	x		
	x		
			x
			x
			x
XI	x	x	
	x	x	
	x	x	
	x	x	
	x		
	x		
	x	x	
	x	x	
	x		
	x	x	
	x		
	x		
	x		
XII			
	x	x	
	x	x	
	x	x	
	x		
	x		

MAXIMUM FLOW (Based On Water At Standard Conditions for 316SS Meter)

CODE	3809G Unlined Meters						
	for Low Flow ELF Meter						
	Size 0	Size 1	Size 2	Size 3	Size 4	Size 5	
0	0.96 l/h	1.3 l/h	3.6 l/h	10 l/h	21 l/h	42 l/h	
CODE	for larger Meter Sizes						
	Size 7	Size 8	Size 10	Size 12	Size 13	Size 15	Size 16
	A	25 l/h	250 l/h	1200 l/h	4000 l/h	6500 l/h	20.000 l/h
B	65 l/h	400 l/h	1500 l/h	6000 l/h	9500 l/h	30.000 l/h	70.000 l/h
C	130 l/h	650 l/h	2400 l/h	8000 l/h	12.000 l/h	40.000 l/h	100.000 l/h
D	200 l/h	1000 l/h	3500 l/h	10.000 l/h	20.000 l/h		

CODE	3809G - E/TFE Lined Meters				
	Size 7	Size 8	Size 10	Size 12	Size 13
A	110 l/h	250 l/h	1400 l/h	3000 l/h	6000 l/h
B	170 l/h	420 l/h	2000 l/h	4000 l/h	8000 l/h
C		500 l/h	2400 l/h	5000 l/h	12.000 l/h
D		850 l/h	3000 l/h	6000 l/h	15.000 l/h

CODE	3810G				
	Size 7	Size 8	Size 10	Size 12	Size 13
A	25 l/h	250 l/h	1200 l/h	4000 l/h	6500 l/h
B	65 l/h	400 l/h	1500 l/h	6000 l/h	9500 l/h
C	130 l/h	650 l/h	2400 l/h	8000 l/h	12.000 l/h
D	200 l/h	1000 l/h	3500 l/h	10.500 l/h	20.000 l/h

CONNECTION TYPE

- A NPT-Female w/Viton O-Rings (High pressure 2500# design has Viton/Teflon O-rings)
- B NPT-Female w/Teflon O-Rings (High pressure 2500# design has Kalrez 3018/Teflon O-rings)
- C Rc-Female w/Viton O-Rings (High pressure 2500# design has Viton/Teflon O-rings)
- D Rc-Female w/Teflon O-Rings (High pressure 2500# design has Kalrez 3018/Teflon O-rings)
- E NPT-Male
- F ANSI 150LBS RF
- G ANSI 300LBS RF
- H ANSI 600LBS RF
- J DIN PN40 RF
- K JIS B2220 DIN 10K
- L JIS B2220 DIN 20K
- M ANSI 150LBS RF - Elbow Outlet
- N ANSI 300LBS RF - Elbow Outlet
- P ANSI 600LBS RF - Elbow Outlet
- Q ANSI 900/1500LBS RF
- R ANSI 900/1500LBS RTJ
- S ANSI 2500LBS RTJ

SCALE INSCRIPTION/FLUID

CODE	SCALE	FLUID
A	Single - % Scale / Direct	Liquid
B	Single - % Scale / Direct	Gas
C	Single - % Scale / Direct	Liquid , Hi Viscosity
D	Dual - %and/or Direct	Liquid
E	Dual - %and/or Direct	Gas
F	Dual - %and/or Direct	Liquid , Hi Viscosity

Model Code Table continued on next page

Sample Model Code

I-IV	V	VI	VII	VIII & IX	X	XI	XII	XIII	XIV	XV	XVI	XVII	XVIII	XIX
3809	G	A	B	02	B	F	C							

Code Pos.	Applicable for	
	3809	3810
XIII	x	x
	x	
	x	
		x
	x	
	x	
	x	
XIV	x	x
	x	x
	x	
	x	
	x	
	x	
	x	
XV	x	x
	x	
	x	
	x	
	x	
	x	
	x	
	x	
	x	
	x	
	x	
	x	
	x	
	x	
XVI	x	x
	x	
	x	
	x	
	x	

METER ACCURACY

- A** 5% Full Scale
- B** 2% Full Scale
- C** 1% Full Scale
- D** 6 VDI
- E** 2.5 VDI
- F** 1.6 VDI
- G** 4 VDI
- H** 3% Full Scale

INDICATOR CONFIGURATION

- 1** Aluminum Housing
- 2** 316SS Housing
- 3** X-proof SS Housing
- 5** 316SS Housing, High Temperature Design
- 6** X-Proof SS Housing, High Temperature Design
- 8** AI - Housing - Shatterproof Window
- 9** SS - Housing - Shatterproof Window

ELECTRONICS CONFIGURATION

- A** Indicator only
 - B** Inductive Alarm, 1 Switch*
 - C** Inductive Alarm, 2 Switches*
 - D** Transmitter, 4 - 20 mA / HART compatible
 - E** Transmitter, 4 - 20 mA / HART compatible w/Pulse Output & Alarm Contacts
 - F** Transmitter, 4 - 20 mA / HART compatible w/ Inductive Alarm 1 Sw*
 - G** Transmitter, 4 - 20 mA / HART compatible w/ Inductive Alarm 2 Sw*
 - H** Transmitter, 4 - 20 mA / HART compatible + LOI (Digital Display)
 - J** Transmitter, 4 - 20 mA / HART compatible w/Pulse Output & Alarm Contacts + LOI (Digital Display)
 - K** Transmitter, 4 - 20 mA / HART compatible w/ Inductive Alarm 1 Sw + LOI (Digital Display)*
 - L** Transmitter, 4 - 20 mA / HART compatible w/ Inductive Alarm 2 Sw +LOI (Digital Display)*
 - M** Foundation Fieldbus Transmitter
 - N** Fieldbus Transmitter w/Pulse Output & Alarm Contacts
 - P** Fieldbus Transmitter w/Inductive Alarm 1 Sw*
 - Q** Fieldbus Transmitter w/Inductive Alarm 2 Sw*
 - R** Fieldbus Transmitter + LOI (Digital Display)
 - S** Fieldbus Transmitter w/Pulse & Alarm Contacts + LOI (Digital Display)
 - T** Fieldbus Transmitter w/Inductive Alarm 1 Sw + LOI (Digital Display)*
 - U** Fieldbus Transmitter w/Inductive Alarm 2 Sw + LOI (Digital Display)*
- *Relay Power Supply Recommended

ELECTRICAL CONNECTION

- 0** None
- 1** Cord Connector 8-11 mm
- 2** M20x1.5
- 3** 1/2" NPT-F
- 4** 3/4" NPT-F (X-Proof Housing Only)

Model Code Table continued on next page

Sample Model Code

I-IV	V	VI	VII	VIII & IX	X	XI	XII	XIII	XIV	XV	XVI	XVII	XVIII	XIX	XX
3809	G	A	B	02	B	F	C	C	3	E	4				

Code Pos.	Applicable for	
	3809	3810
XVII	x	x
	x	
	x	
	x	
	x	
	x	
	x	
	x	
	x	
	x	
	x	
	x	
	x	
	x	
	x	
	x	
	XVIII	x
x		x
x		x
x		x
x		x
x		x
x		x
x		x
x		x
x		x
x		x
XIX	x	x
	x	
	x	
	x	
	x	
	x	
XX	x	x
	x	
	x	
	x	

CERTS (APPROVAL TYPE)

ATEX / IECEX		North American Approvals
0	None	
A	Zone 2, Non-incendive/non-sparking	
B	Zone 1, Intrinsically Safe	
C	Zone 1, Flame-proof XP - IIC	Div 1 / Zone 1, Flame-proof XP
D	Nepsi - Zone 2, Non-incendive/non-sparking	
E	Nepsi - Zone 1, Intrinsically Safe	
F	Nepsi - Zone 1, Flame-proof XP - IIC	
G	KOSHA - Zone 2, Non-incendive/non-sparking	
H	KOSHA - Zone 1, Intrinsically Safe	
J	KOSHA - Zone 1, Flame-proof XP - IIC	
K	CCOE - Zone 2, Non-incendive/non-sparking	
L	CCOE - Zone 1, Intrinsically Safe	
M	CCOE - Zone 1, Flame-proof XP - IIC	
N	TR CU Ex Zone 2, Non-incendive/non-sparking (Custom Union including Russia)	
P	TR CU Ex Zone 1, Intrinsically Safe (Custom Union including Russia)	
Q	TR CU Ex Zone 1, Flameproof XP - IIC (Custom Union including Russia)	
R	TR CU Indicator only (Custom Union including Russia)	
S	UL - Div 1 / Zone 1, Intrinsically Safe (4-20 mA transmitter options)	
T	UL - Div 2 / Zone 2, Non-Incendive / Non-Sparking (all electronic options)	
U	FM - Div 1 / Zone 1, Intrinsically Safe (inductive alarms)	
V	ATEX - Zone 1 / Zone 2, Non-Electrical	

VALVE / FLOW CONTROLLER

0	None
A	Valve on Inlet - Viton Seals
B	Valve on Inlet - Teflon(Low flow valve Kalrez/Teflon)
C	Valve on Outlet - Viton Seals
D	Valve on Outlet - Teflon(Low flow valve Kalrez/Teflon)
E	Std Press FLOW CONTROLLER on Inlet - Viton Seals
F	Std Press FLOW CONTROLLER on Inlet - Teflon/Kalrez Seals
G	High Press FLOW CONTROLLER on Inlet - Teflon/Kalrez Seals
H	Std Press FLOW CONTROLLER on Outlet - Viton Seals
J	Std Press FLOW CONTROLLER on Outlet - Teflon/Kalrez Seals
K	High Press FLOW CONTROLLER on Outlet - Teflon/Kalrez Seals

PROCESSES with CERTIFICATES (Group 1)

0	None
A	Positive Material Identification (PMI) - 3.1 (w/o Carbon)
B	Positive Alloy Material Identification (PAMI) - 3.1 (Carbon)
C	NACE MR0175/103 - 2.1
D	NACE MR0175/103 - 2.1 & PMI - 3.1 (w/o Carbon)
E	NACE MR0175/103 - 2.1 & PAMI - 3.1 (Carbon)

Note
2.1 = Declaration of Compliance (EN 10204)
3.1 = Inspection Certificate (EN 10204)

PROCESSES with CERTIFICATES (Group 2)

0	None
A	Radiographic Examination Report 3.1
B	Liquid Dye-Penetrant Test Report 3.1
C	Radiographic Exam 3.1 & Liquid Dye-Penetrant Test 3.1

Additional Services

- 1 Clean for Oxygen Service 2.1
- 2 Hazardous Location Certificate
- 3 Certificate of Conformance 2.1
- 4 International Calibration Certificate 3.1
- 5 Pressure Test Certificate 2.2
- 6 Commercial Clean

Notes: The CRN approved meters are designed per ASME 31.3, constructed using materials compliant with ASTM/ASME specification and welding according to ASME IX standard.

The CRN approvals are valid for standard model code option and special model code options based on approval granted to the pressure vessel design and no changes to the pressure vessel design.

Sample Model Code

I-IV	V	VI	VII	VIII & IX	X	XI	XII	XIII	XIV	XV	XVI	XVII	XVIII	XIX	XX
3809	G	A	B	02	B	F	C	C	3	E	4	C	0	A	B

Brooks is committed to assuring all of our customers receive the ideal flow solution for their application, along with outstanding service and support to back it up. We operate first class repair facilities located around the world to provide rapid response and support. Each location utilizes primary standard calibration equipment to ensure accuracy and reliability for repairs and recalibration and is certified by our local Weights and Measures Authorities and traceable to the relevant International Standards.

Visit www.BrooksInstrument.com to locate the service location nearest to you.

START-UP SERVICE AND IN-SITU CALIBRATION

Brooks Instrument can provide start-up service prior to operation when required. For some process applications, where ISO-9001 Quality Certification is important, it is mandatory to verify and/or (re)calibrate the products periodically. In many cases this service can be provided under in-situ conditions, and the results will be traceable to the relevant international quality standards.

CUSTOMER SEMINARS AND TRAINING

Brooks Instrument can provide customer seminars and dedicated training to engineers, end users, and maintenance persons. Please contact your nearest sales representative for more details. Due to Brooks Instrument's commitment to continuous improvement of our products, all specifications are subject to change without notice.



TRADEMARKS

BrooksBrooks Instrument, LLC

All other trademarks are the property of their respective owners.

Data-Sheet-MT3809G-EN/2024-02

Global Headquarters

Brooks Instrument

407 West Vine Street

Hatfield, PA

19440-0903 USA

Toll-Free (USA): 888-554-FLOW

T: 215-362-3500

BrooksAM@BrooksInstrument.com

A list of all Brooks Instrument locations and contact details can be found at www.BrooksInstrument.com

© Copyright 2024 Brooks Instrument, LLC All rights reserved. Printed in U.S.A.