

CMC Series

Compact, Unheated, Capacitance Manometers

Used as the vacuum capacitance manometer of choice for thin-film processes, CMC Series capacitance manometers provide accurate total pressure measurement independent of gas composition. The all-welded design and Inconel[®] wetted surfaces ensures reliable operation in even the most aggressive processes. The combination of precision components and a wide temperature compensated operating range allows the CMC to deliver best-in-class zero and span temperature coefficients for optimum measurement stability.



Features

40% Smaller than Traditional Unheated Capacitance Manometers

Robust All-Welded Construction & Inconel Wetted Surfaces

Available in Full Scale Ranges from 1000 Torr to 10 Torr

Benefits

The CMC Series delivers exceptional performance in a space saving, economic package

Ensures optimum measurement repeatability independent of gas composition.

An ideal upgrade for small form-factor capacitance manometers

Product Specifications

Performance

Full Scale Ranges	10, 20 50, 100, 200 and 1000 Torr
Accuracy ¹	Type A = 0.25% of reading; Type B = 0.5% of reading
Resolution ²	Infinite, limited by output noise ($\leq 0.0006\%$ F.S.)
Temp. Effect on Zero	0.005% F.S. / °C
Temp. Effect on Span	0.027% F.S. / °C
Response Time	20 msec
Operating Temperature	0 to 80°C
Compensated Temperature	0 to 50°C

Mechanical

Exposed Materials ²	Inconel®
Over-Pressure Limit	45 psia
Weight	0.3 lbs. (137 grams)

Electrical

Input Power	+12 to 30 Vdc
Output Signal	0-10 Vdc (<10K Ω load)
Power Consumption	<200 mW
Electrical Connectors	5-pin terminal strip 9-pin D sub 15-pin D sub on 6" cable

Certifications

Electromagnetic Compatibility	Fully CE certified to EMC Directive 89/336/EEC
RoHs	Compliant

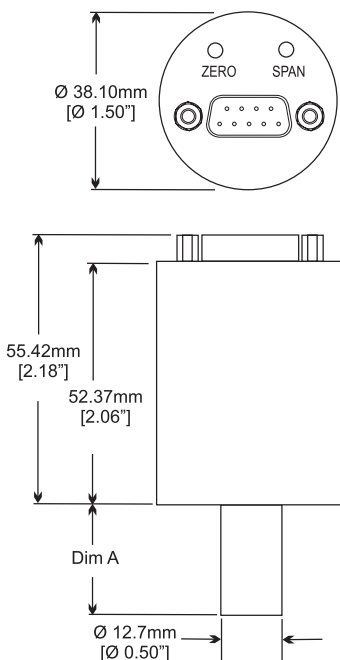
Notes:

1. RSS-Including hysteresis, linearity and non-repeatability.
2. Wetted material is for 1/2" tube stub option, other flanges and fitting will add stainless steel.

Dimensional Drawing

CMC Series

1/2" tube stub option



Fitting Type	Code	Dim. A
0.5" O.D. Tube	0	25.4mm [0.99in]
KF - 10 Flange	1	28.96mm [1.14in]
KF - 16 Flange	2	28.96mm [1.14in]
KF - 25 Flange	3	28.96mm [1.14in]
8 VCR Female	4	44.07mm [1.735in]
4 VCR Male	P	34.07mm [1.34in]
0.25" OD Tube	Q	19.05mm [0.75in]
4 VCR Female	R	34.06mm [1.341in]

Code Description	Code Option	Option Description
I. Base Model Code	CMCA	Compact Capacitance Manometer
II. Full Scale Range	T11	10 Torr
	T12	20 Torr
	T15	50 Torr
	T21	100 Torr
	T22	200 Torr
	T31	1000 Torr
	C11 ³	10 mbar
	C12	20 mbar
	C21	100 mbar
	C31	1000 mbar
	P11	1.333 kPa
	P21	13.33 kPa
	P31	133.3 kPa
III. Electrical Connector	1	9-pin sub D, 0-10 Vdc
	2	5-pin terminal strip, 0-10 Vdc
	3	15-pin sub D, 0-10 Vdc on 6" cable
IV. Fitting	0	1/2" tube stub
	1	KF10
	2	KF16
	3	KF25
	4	8VCR® F
	P	4VCR® M
	Q	1/4" tube stub
	R	4VCR® F
V. Accuracy	A	±0.25% of Reading Accuracy
	B	±0.5% of Reading Accuracy
VI. Compliance	R	RoHs Compliant

³ Available with "B" Code (.5% of reading) only.

Sample Model Code

I	II	III	IV	V	VI
CMCA	T11	1	Q	A	R

Brooks is committed to assuring all of our customers receive the optimal solution for their application, along with outstanding service and support to back it up. We operate first class repair facilities located around the world to provide rapid response and support. Each location utilizes primary standard calibration equipment to ensure accuracy and reliability for repairs and recalibration and is certified by our local Weights and Measures Authorities and traceable to the relevant International Standards.

Visit www.BrooksInstrument.com to locate the service location nearest to you.

START-UP SERVICE AND IN-SITU CALIBRATION

Brooks Instrument can provide start-up service prior to operation when required. For some process applications, where ISO-9001 Quality Certification is important, it is mandatory to verify and/or (re)calibrate the products periodically. In many cases this service can be provided under in-situ conditions, and the results will be traceable to the relevant international quality standards.

SEMINARS AND TRAINING

Brooks Instrument can provide customer seminars and dedicated training to engineers, end users, and maintenance persons. Please contact your nearest sales representative for more details. Due to Brooks Instrument's commitment to continuous improvement of our products, all specifications are subject to change without notice.



TRADEMARKS

Brooks Brooks Instrument, LLC
All other trademarks are the property of their respective owners.

Data-Sheet-CMC-EN/2024-11

Global Headquarters

Brooks Instrument
407 West Vine Street
Hatfield, PA
19440-0903 USA

Toll-Free (USA): 888-554-FLOW
T: 215-362-3500

BrooksAM@BrooksInstrument.com

A list of all Brooks Instrument locations and contact details can be found at www.BrooksInstrument.com

© Copyright 2024 Brooks Instrument, LLC All rights reserved. Printed in U.S.A.