

0260 Series

Control and monitor up to 30 devices with RS485 Smart protocol digital interface

The 0260 Series power supply, smart interface and controller is a Microsoft® Windows®-based solution designed for precise control of Brooks Instrument thermal mass flow meters and controllers and pressure controllers in research and laboratory environments. Monitoring and controlling up to 30 devices, it offers a flow/pressure display, set point adjustments, alarms, and valve override (VOR) control. Features include data logging, batching, and automated process recipes. The hardware setup includes a power supply that powers up to 10 devices and an RS485 to USB module, compatible with Brooks Instrument devices configured with the RS485 S-protocol.



Features

Monitor and Provide Set Point Control for Up to 30 Devices

Integrated Power Supply and RS485 to USB Tabletop Hardware Module

Data Logging

Recipe Control

Alarm Status

Benefits

Eliminates the need for multiple secondary electronics boxes which saves space, simplifies wiring and reduces overall cost.

Along with software this hardware and cable set provides the user with an easy-to install “turn key” solution minimizing setup time and headaches.

Allows the user to record, review and graph data.

Ability to store recipes (i.e. set points and times for each channel). Eliminates the need for operator intervention to adjust setpoints at designated times which in turn improves test or process reliability and productivity.

Without changing screens, the user is able to see the device status and read any specific alarm conditions that might exist. If there is an alarm condition, it allows the user to quickly troubleshoot and determine the appropriate action.

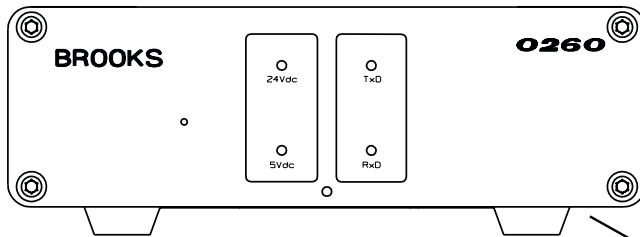
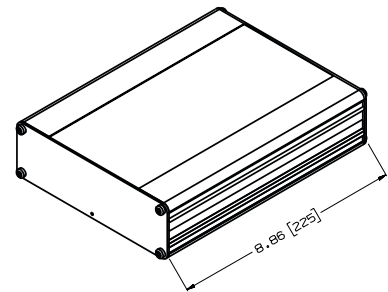
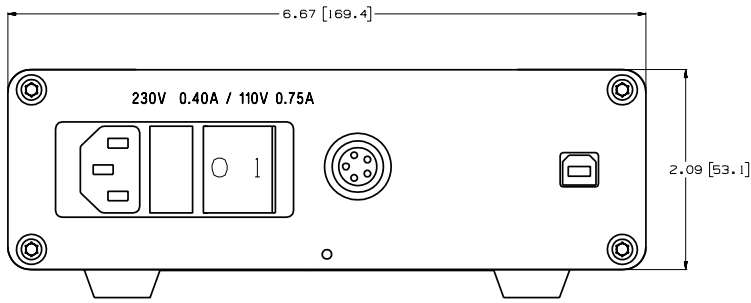
Product Specifications

	Description
Supported RS485 S-Protocol Devices	
GF40	Mass Flow Controllers & Meters
GF80	Mass Flow Controllers & Meters
SLA58xx (Revision B)	Mass Flow Controllers & Meters, Pressure Controllers, Remote Transducers
SLAMFxx	Mass Flow Controllers & Meters, Pressure Controllers, Remote Transducers
QMB/QMC	Mass Flow Controllers & Meters
Legacy Devices with RS485 S-Protocol	Mass Flow Controllers & Meters, Pressure Controllers, Remote Transducers

	0260
Hardware	
Power Input	85 - 250 Vac, 47 - 63 Hz
Power Output	Voltage: 24 Vdc (-/+10%) Current: 3.5 Amp Will power up to ten (10) Brooks mass flow or pressure control devices
Power On/Off	Rocker switch on panel
Fuse	Back panel accessible 2.5 Amp Anti-surge, 5 x 20 mm
Signal Input / Output	RS485 "S" Protocol (HART Command Set)
Status LEDs	Four (4) status LEDs located on the front panel Functionality: 24 Vdc present, 5 Vdc PC to USB-485 converter, Coms RX/TX XZ
Mounting Options	Table top
Dimensions	See product dimensions figure
Temperature / Humidity	Operating: 0 - 50°C (32 - 122°F), 0 - 95% non-condensing. Ship/Storage: -40 - 85°C (-40 - 185°F), 0 - 95% non-condensing.
Cables	AC Power: Standard North American, European or United Kingdom cables PC Interface: 3 meter (10 ft) cable from 0260 with USB connector at PC Device power and signal: Circular self latching Lemo 5 way 2B series in-line plug provided to enable custom wiring by user Optional custom specified multi-drop cable available on request
Certifications	CE Mark EN61326-1 RoHS EPD 2002/95/EC, 01Jul2006

Software	
Software Requirements	Microsoft Windows XP (SP2), Windows 11/10, Vista or 7
Number of Devices	Software runs up to 30 devices
Main Screen Functions	Display full scale flow, display flow rate, display and adjust setpoint, display and change valve override status, provide device/alarm status updates
Totalizer Function	Resettable totalizer available on each channel
Data Logging	Log data includes timestamp, setpoint, flow rate, VOR status, and alarm status
Conversion Factor	Two decimal conversion factor (multiplier) available for each channel
Blending	Each channel defined as stand alone, master or slave channel. There may be up to 15 masters with the balance being either slaves or stand alone
Security	Software will function only if security dongle is installed in PC
Loss of Power	Software configurable for return to last setpoint values or setpoint zero
Recipe	Ability to store recipes (i.e. setpoints and times for each channel). Ability to have a mix of recipe channels and channels for independent control.
Languages	English

0260 Series - Table Top Dimensions



Jumpers for Communication Line Termination/Biasing

Dip-Switch for Mode Selection				
Switch:	S1	S2	S3	S4
Half Duplex (2 Wire) - Without Echo	ON	OFF	OFF	OFF

Jumpers for Communication Line Termination/Biasing

1 - 2	Tx Termination of 120 Ohm	populated
3 - 4	Pull-up Tx* (B) to VCC by 750 Ohm Bios resistor	populated
5 - 6	Pull-down Tx* (A) to GND by 750 Ohm Bios resistor	populated
7 - 8	Rx Termination of 120 Ohm	not populated
9 - 10	Pull-up Rx+ to VCC by 750 Ohm Bios resistor	not populated
11 - 12	Pull-down Rx- to GND by 750 Ohm Bios resistor	not populated
13 - 14	CTS Termination of 120 Ohm	not populated

Labeling on bottom of unit indicates:

- Manufacturer and Address
- Warnings
- Serial Number
- Model Number
- Reference Number
- Agency Approvals

Model Code

Code Description	Code Option	Option Description
I. Base Model Code	0260	Secondary Electronics
II. Model Revision Level	A	---
III. Software Application	A	None
	B	Brooks Smart Interface
IV. Software Distribution	A	N/A (not applicable)
	B	Software Download*
	C	CD Kit
V. Hardware Option	A	None
	B	0260 Hardware
VI. Power Cord for 0260 Hardware, 100 - 240 Vac	A	None
	B	North American power cord for 120 Vac
	C	European power cord for 220 Vac
	D	United Kingdom power cord for 220 Vac

*Customer must download software from the Brooks Instrument website (<http://www.BrooksInstrument.com>)

Sample Model Code

I	II	III	IV	V	VI
0260	A	B	C	B	B

Brooks is committed to assuring all of our customers receive the optimal solution for their application, along with outstanding service and support to back it up. We operate first class repair facilities located around the world to provide rapid response and support. Each location utilizes primary standard calibration equipment to ensure accuracy and reliability for repairs and recalibration and is certified by our local Weights and Measures Authorities and traceable to the relevant International Standards.

Visit www.BrooksInstrument.com to locate the service location nearest to you.

START-UP SERVICE AND IN-SITU CALIBRATION

Brooks Instrument can provide start-up service prior to operation when required. For some process applications, where ISO-9001 Quality Certification is important, it is mandatory to verify and/or (re)calibrate the products periodically. In many cases this service can be provided under in-situ conditions, and the results will be traceable to the relevant international quality standards.

SEMINARS AND TRAINING

Brooks Instrument can provide customer seminars and dedicated training to engineers, end users, and maintenance persons. Please contact your nearest sales representative for more details. Due to Brooks Instrument's commitment to continuous improvement of our products, all specifications are subject to change without notice.



TRADEMARKS

Brooks Brooks Instrument, LLC
All other trademarks are the property of their respective owners.

Data-Sheet-0260-EN/2024-11

Global Headquarters

Brooks Instrument
407 West Vine Street
Hatfield, PA
19440-0903 USA

Toll-Free (USA): 888-554-FLOW
T: 215-362-3500

BrooksAM@BrooksInstrument.com

A list of all Brooks Instrument locations and contact details can be found at www.BrooksInstrument.com

© Copyright 2024 Brooks Instrument, LLC All rights reserved. Printed in U.S.A.