

This Quick Start Guide applies to the following Brooks products:
 • 0250 Series Secondary Electronics
 In an effort to be more eco-friendly, Brooks is no longer supplying printed instruction manuals with product shipments to reduce our paper consumption.
 For this product's complete instruction manual, please download it at www.BrooksInstrument.com and click on "0250 Series Secondary Electronics"

Dear Customer,
 Thank you for your purchase. We appreciate this opportunity to service your flow measurement and control needs with a Brooks Instrument device. Brooks' award-winning meters and controllers consistently rank at the top of their category for accuracy, reliability and user preference, as judged by the audience that matters - real users of flow instrumentation, like you.
 But Brooks' products are only half of the story. You are backed by Brooks' unsurpassed local technical expertise in virtually every corner of the planet. Your local Brooks product and application specialist is truly your "partner in flow". They have been extensively trained to help you select the optimal solutions for your flow measurement or control needs and offer years of experience solving application problems just like yours.
 Should you require any additional information concerning Brooks' products and services, please contact your local Brooks Sales and Service office listed on the back cover of this guide.
 Sincerely,
 Brooks Instrument

Global Headquarters
Brooks Instrument
 407 West Vine Street
 Hatfield, PA 19440-0903 USA
 Toll-Free (USA): 888-554-FLOW
 Tel (215) 362 3700
 Fax (215) 362 3745
BrooksAm@BrooksInstrument.com

A list of all Brooks Instrument locations and contact details can be found at www.BrooksInstrument.com

Brooks is a trademark of Brooks Instrument, LLC.
 All other marks are property of their respective owners.
 PN: 541B130AAG/B
 Reference: 834z986



© Copyright 2017, Brooks Instrument, LLC,
 All rights reserved. Printed in USA.

WARNING

Read this page before proceeding!

Follow all warnings, cautions and instructions marked on and supplied with this product.
 Install your equipment as specified in the installation instructions in the appropriate instruction manual and per local and national codes. Connect all products to the proper electrical and pressure sources.
 Ensure that all equipment doors are closed and protective covers are in place, except when maintenance is being performed by qualified persons, to prevent electrical shock and personal injury.
 Do not operate this instrument in excess of the specifications marked on and supplied with this product. Failure to heed this warning can result in serious personal injury and/or damage to the equipment.
 Before operating the device, ensure all electrical connections have been properly terminated.
 If it becomes necessary to remove the device from the system, power to the device must be disconnected.

Quick Start Guide

0250 Series
Single and Four Channel Secondary Electronics

Secondary Electronics

X-SE-0250-Series-QS-eng
 PN: 541B130AAG/B
 June, 2017



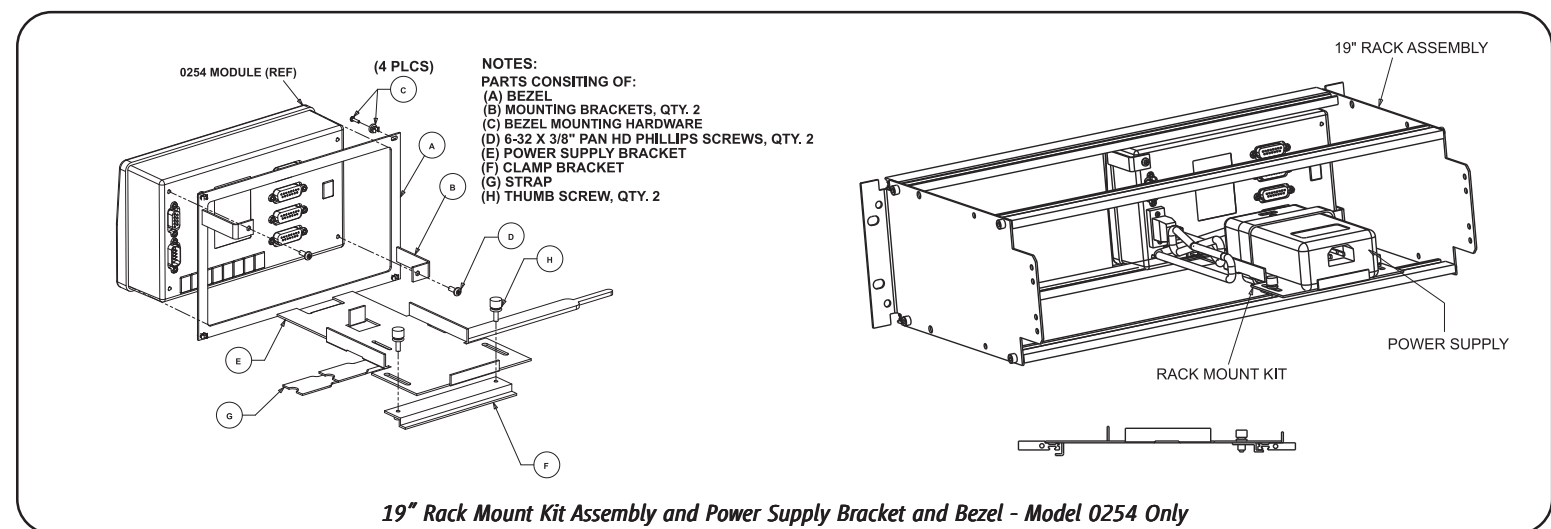
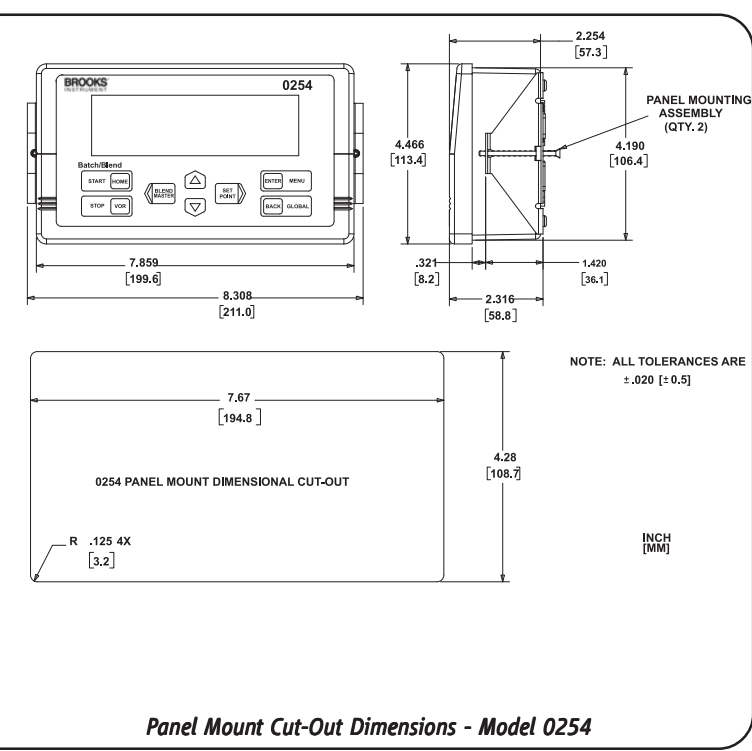
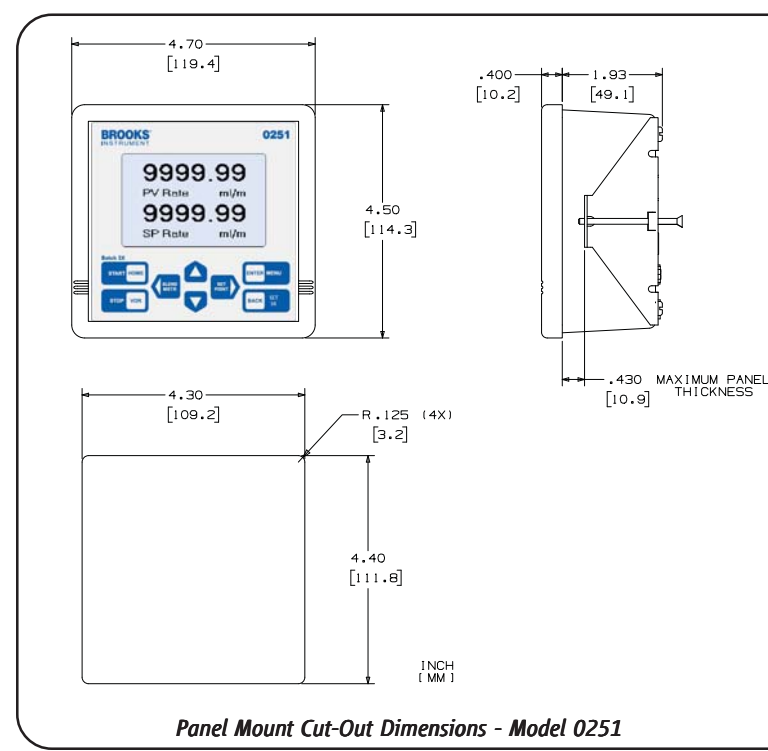
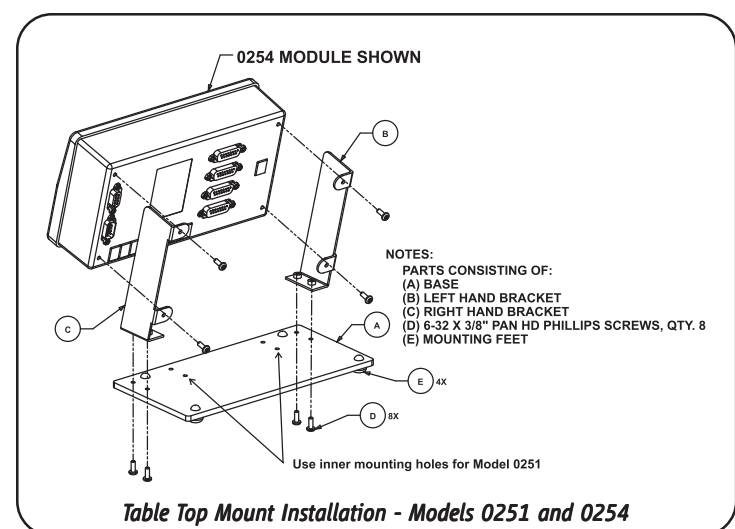
Equipment Receipt and Return Procedures, Assembly and Installation

Receipt of Equipment

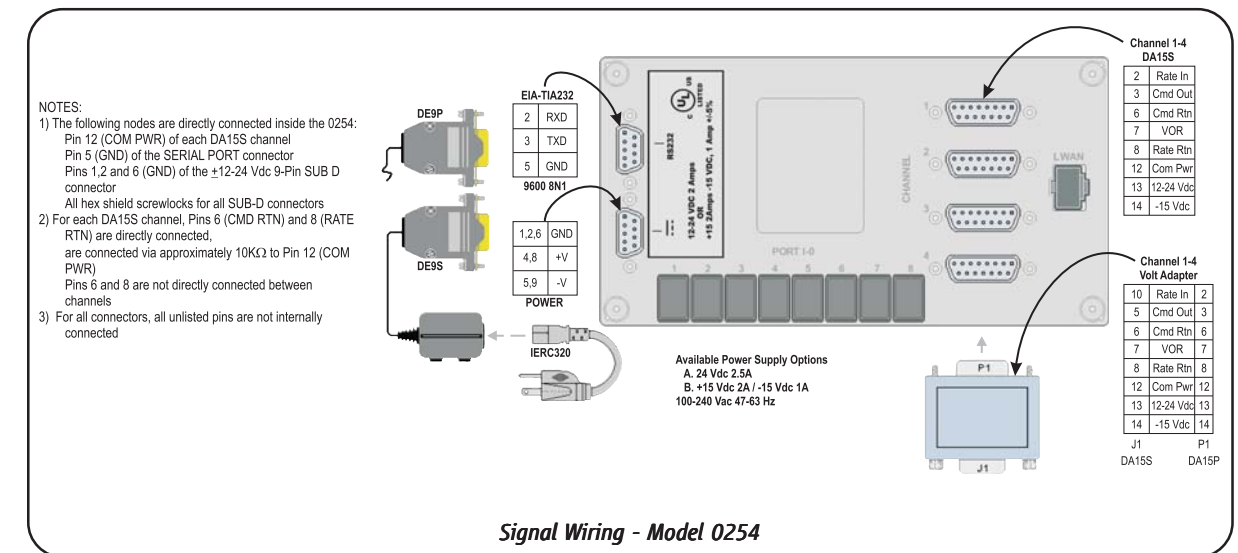
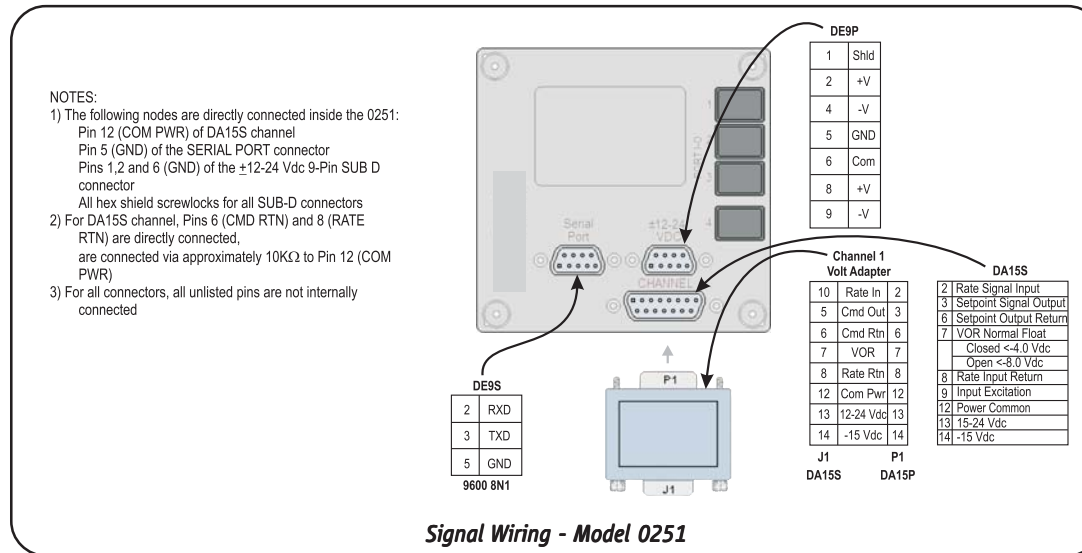
If the packing case is damaged, the local carrier should be notified at once regarding their liability. Carefully remove the equipment from the packing case and inspect for damage or missing parts. If damaged, please visit www.BrooksInstrument.com for necessary forms and instruction.

Return Shipment

Please note that prior to returning any instrument to the factory Brooks Instrument requires the completion of Form RPR003-1, a Brooks Instrument Decontamination Statement, as well as a Materials Safety Data Sheet (MSDS) for fluid(s) used in the instrument. Copies of these forms can be found online at www.BrooksInstrument.com along with complete details on how to process your return shipment or you can contact your nearest Brooks location for the necessary forms and instruction.



Signal Wiring



Operation

After the 0250 Series has been assembled and installed in the system, it is ready for operation. Refer to User Interface Screen Maps at right for details regarding operation.

