

Sincerely,  
Brooks Instrument

Should you require any additional information concerning our products and support services, please contact us by phone or via our website: [www.BrooksInstrument.com](http://www.BrooksInstrument.com)

[www.BrooksInstrument.com](http://www.BrooksInstrument.com)

This Quick Start Guide provides an overview of the steps needed to get your Brooks Instrument device up an running. For the complete installation & Operation Manual, please visit [www.BrooksInstrument.com](http://www.BrooksInstrument.com)

Thank you for your purchase. We appreciate this opportunity to service your flow measurement and control needs with a Brooks Instrument device. Brooks' award-winning meters and controllers consistently rank at the top of their category for accuracy, reliability and user preference, as judged by the audience that matters - real users of flow instrumentation, like you.

Dear Customer,

**Global Headquarters**  
Brooks Instrument  
407 West Vine Street  
Hatfield, PA 19440-0903 USA  
Toll Free (USA): 888-554-FLOW  
Tel (215) 362 3700  
Fax (215) 362 3745  
[BrooksAm@BrooksInstrument.com](mailto:BrooksAm@BrooksInstrument.com)

A list of all Brooks Instrument locations and contact details can be found at [www.BrooksInstrument.com](http://www.BrooksInstrument.com)

Brooks is a trademark of Brooks Instrument, LLC.  
All other marks are property of their respective owners.  
Quick-Start-0250-Series-EN-03-2023  
PN: 541B130AAG/C  
Reference: 834z986



© Copyright 2023, Brooks Instrument, LLC.  
All rights reserved. Printed in USA.

**WARNING**  
Read this page before proceeding!

Follow all warnings, cautions and instructions marked on and supplied with this product.  
Install your equipment as specified in the installation instructions in the appropriate instruction manual and per local and national codes. Connect all products to the proper electrical and pressure sources.  
Ensure that all equipment doors are closed and protective covers are in place, except when maintenance is being performed by qualified persons, to prevent electrical shock and personal injury.  
Do not operate this instrument in excess of the specifications marked on and supplied with this product. Failure to heed this warning can result in serious personal injury and/or damage to the equipment.  
Before operating the device, ensure all electrical connections have been properly terminated.  
If it becomes necessary to remove the device from the system, power to the device must be disconnected.

**QUICK START GUIDE**  
Secondary Electronics

**0250 Series**  
Single and Four Channel  
Secondary Electronics



Model 0251  
Single Channel  
Secondary Electronics



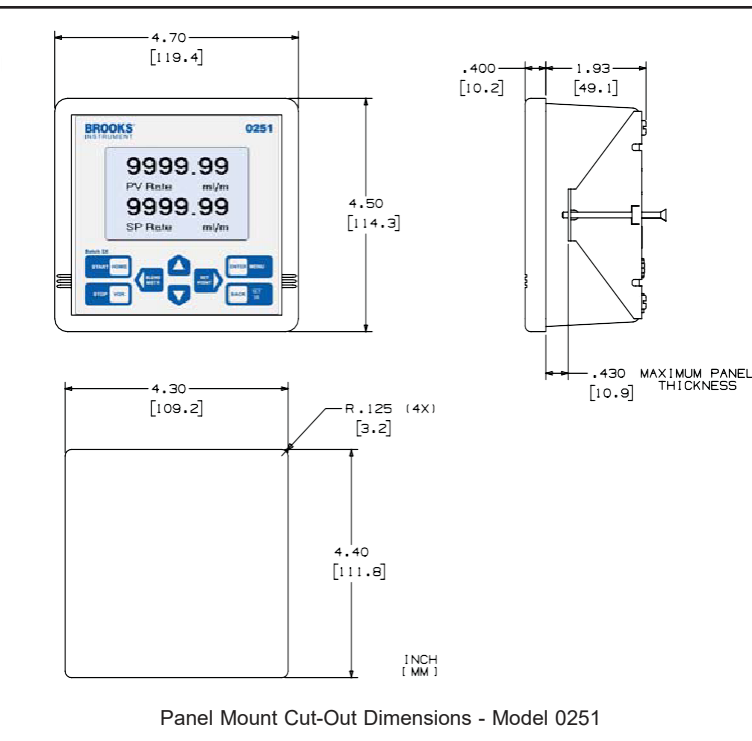
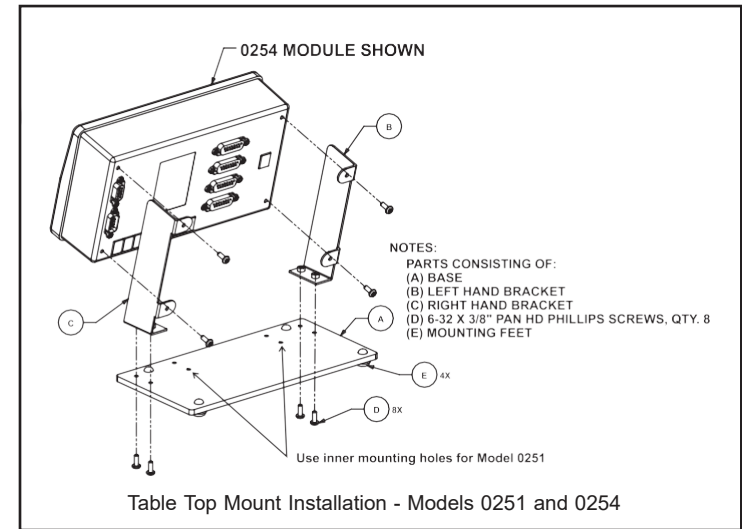
Model 0254  
Four Channel  
Secondary Electronics

**Receipt of Equipment**

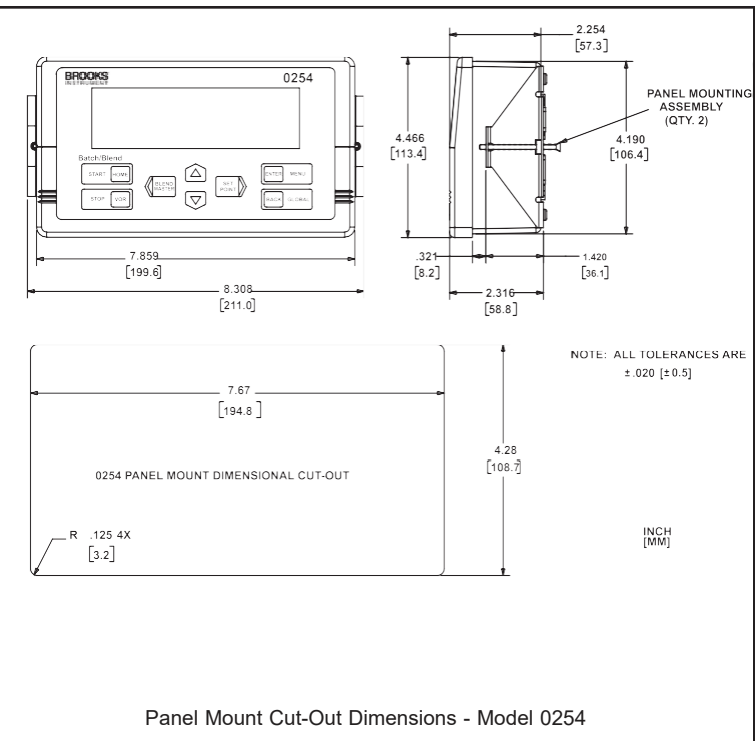
If the packing case is damaged, the local carrier should be notified at once regarding their liability. Carefully remove the equipment from the packing case and inspect for damage or missing parts. If damaged, please visit [www.BrooksInstrument.com](http://www.BrooksInstrument.com) for necessary forms and instruction.

**Return Shipment**

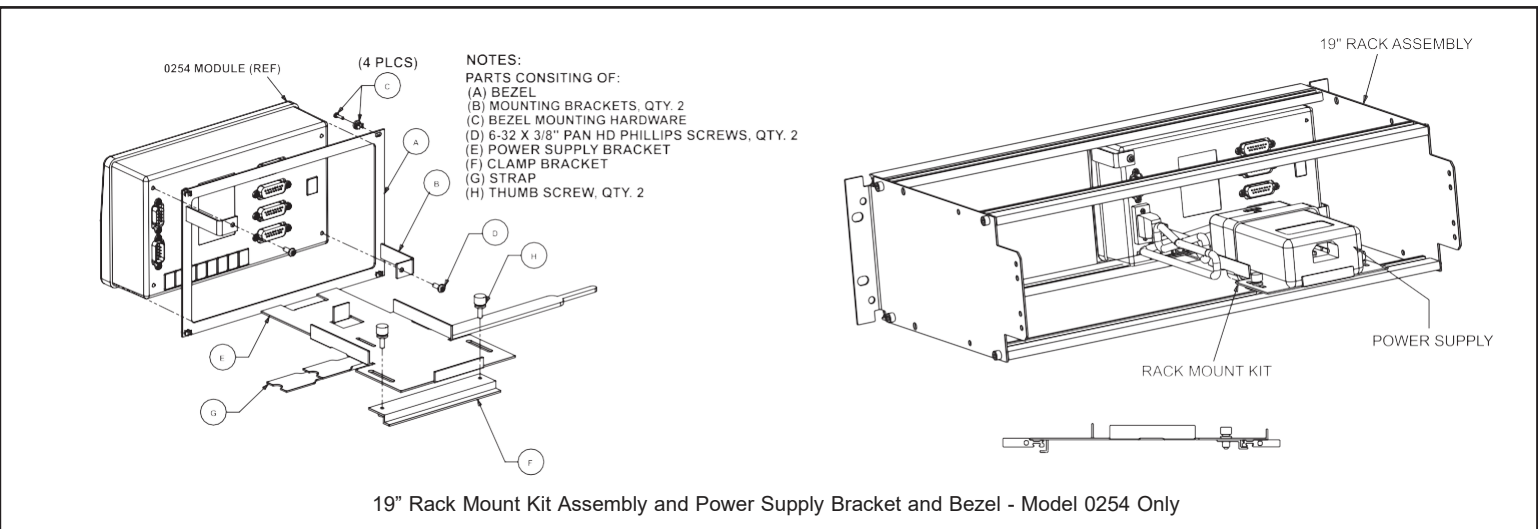
Please note that prior to returning any instrument to the factory Brooks Instrument requires the completion of Form RPR003-1, a Brooks Instrument Decontamination Statement, as well as a Materials Safety Data Sheet (MSDS) for fluid(s) used in the instrument. Copies of these forms can be found online at [www.BrooksInstrument.com](http://www.BrooksInstrument.com) along with complete details on how to process your return shipment or you can contact your nearest Brooks location for the necessary forms and instruction.



Panel Mount Cut-Out Dimensions - Model 0251



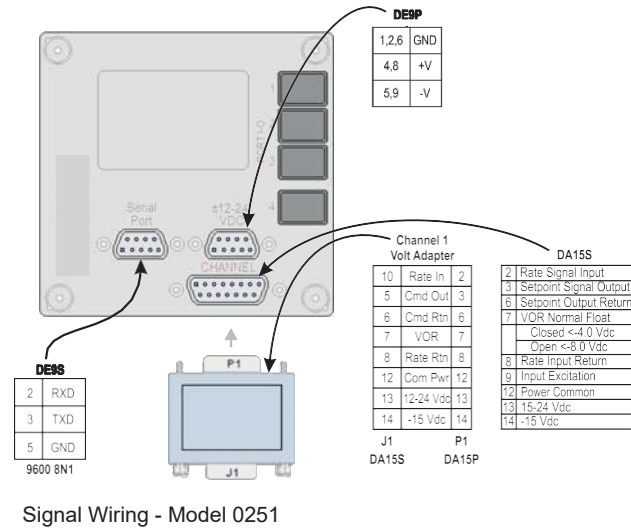
Panel Mount Cut-Out Dimensions - Model 0254



19" Rack Mount Kit Assembly and Power Supply Bracket and Bezel - Model 0254 Only

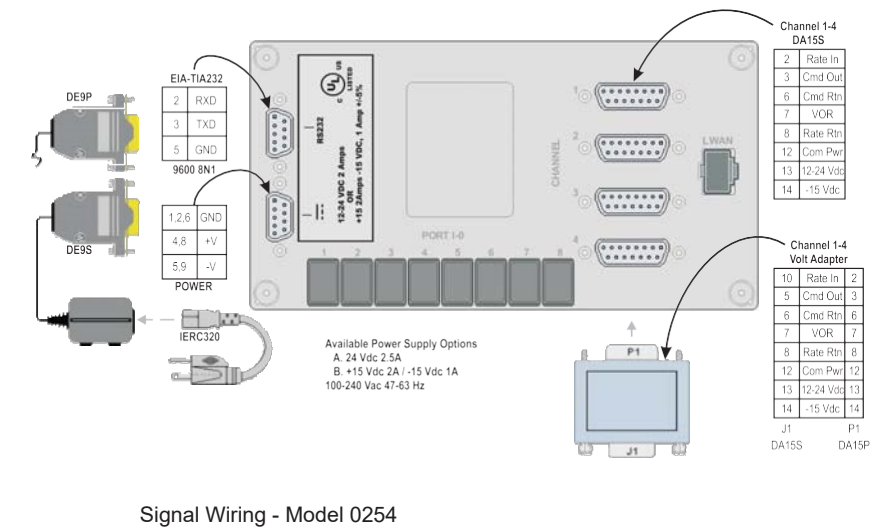
Notes:

- The following modes are directly connected inside the 0251:  
 Pin 12 (COM PWR) of DA15S channel  
 Pin 5 (GND) of the SERIAL PORT connector  
 Pins 1, 2, and 6 (GND) of the ±12-24 Vdc 9-Pin SUB D connector  
 All hex shield screwlocks for all SUB-D connectors
- For DA15S channel, Pins 6 (CMD RTN) and 8 (RATE RTN) are directly connected, are connected via approximately 10KΩ to Pin 12 (COM PWR).
- For all connectors, all unlisted pins are not internally connected.



Notes:

- The following modes are directly connected inside the 0251:  
 Pin 12 (COM PWR) of DA15S channel  
 Pin 5 (GND) of the SERIAL PORT connector  
 Pins 1, 2, and 6 (GND) of the ±12-24 Vdc 9-Pin SUB D connector  
 All hex shield screwlocks for all SUB-D connectors
- For DA15S channel, Pins 6 (CMD RTN) and 8 (RATE RTN) are directly connected, are connected via approximately 10KΩ to Pin 12 (COM PWR). Pins 6 and 8 are not directly connected between channels.
- For all connectors, all unlisted pins are not internally connected.



Operation

After the 0250 Series has been assembled and installed in the system, it is ready for operation. Refer to User Interface Screen Maps at right for details regarding operation.

