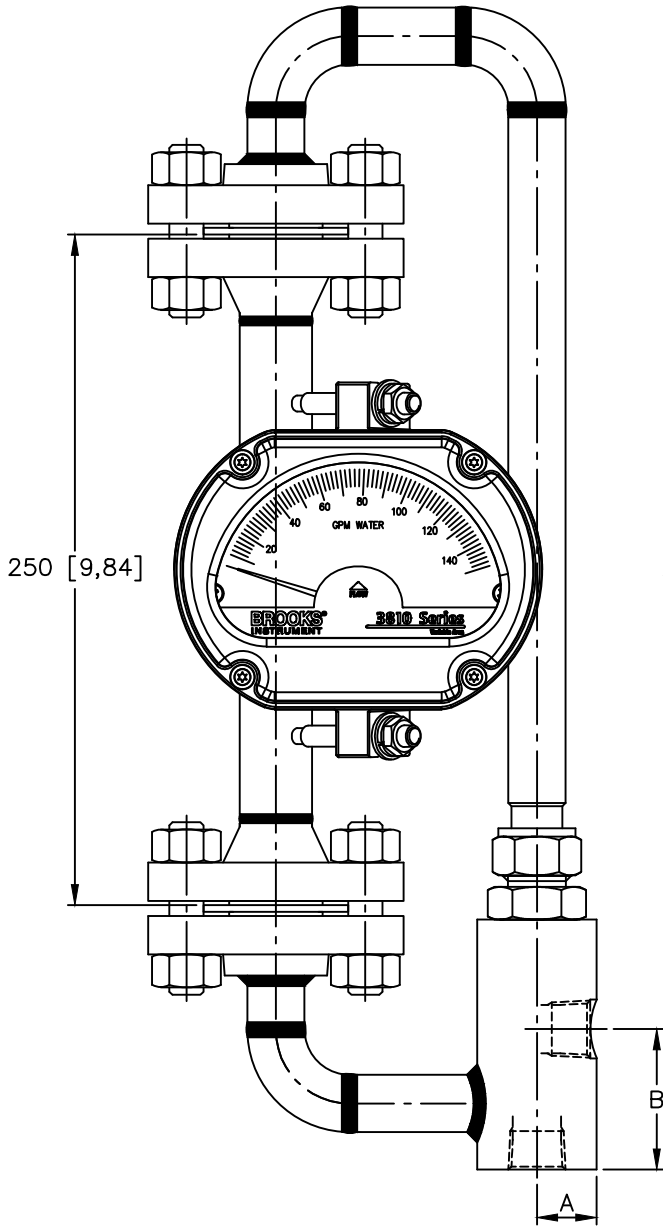
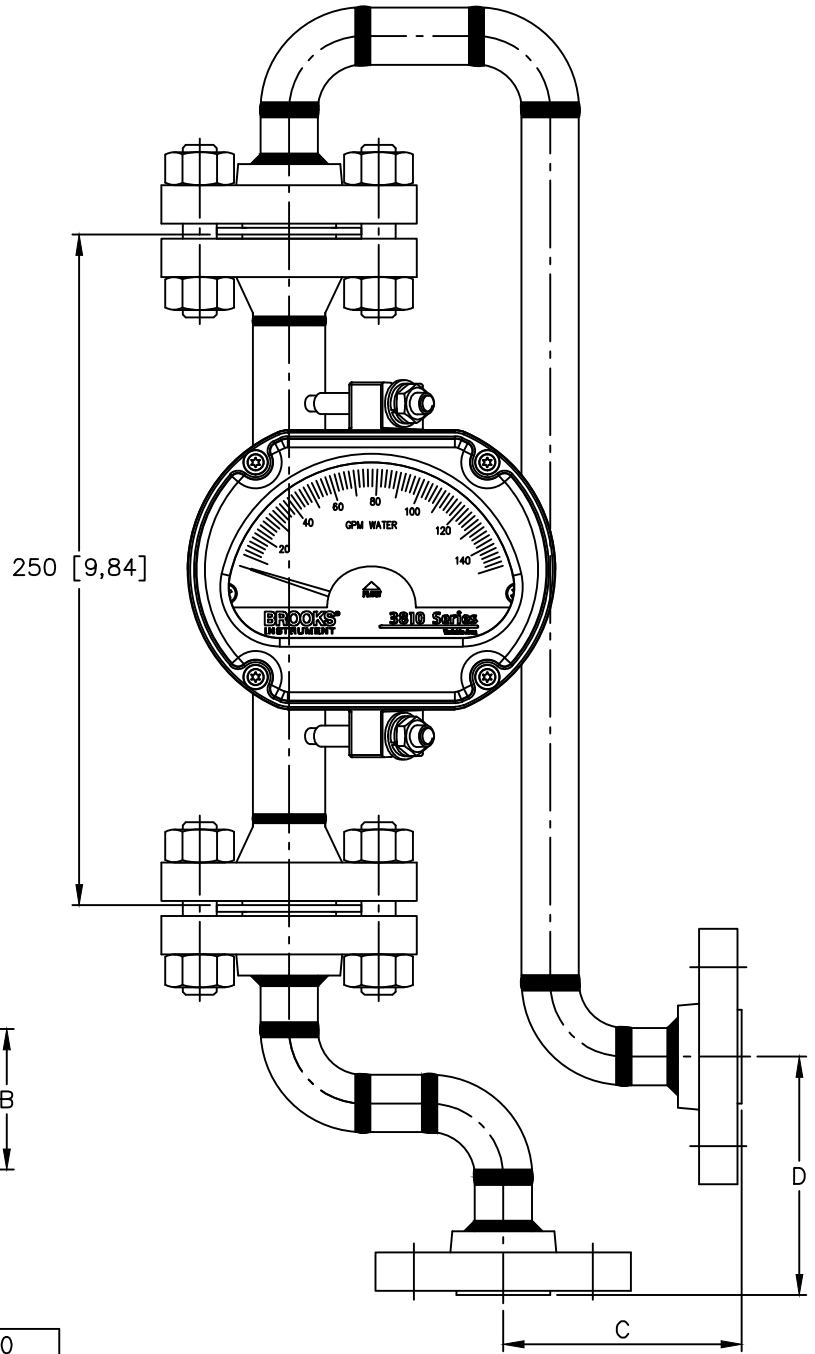


3602 RETROFIT
NPT-F



3601 RETROFIT
FLANGED



| CONN. SIZE | 3602 | | 3601 #150/300 | | 3601 #600 | |
|---------------|--------------|---------------|---------------|----------------|---------------|----------------|
| | A | B | C | D | C | D |
| 1/2" | 22 [.88] | 52 [2.06] | 89 [3.5] | 89 [3.5] | 89 [3.5] | 89 [3.5] |
| 1" | 54 [2.13] | 92 [3.75] | 101 [4.0] | 155 [6.13] | 108 [4.25] | 162 [6.38] |
| 1,5" | 48 [1.88] | 151 [5.94] | 155 [6.13] | 257 [10.13] | 155 [6.13] | 257 [10.13] |